

WEDGE CLAMP SYSTEMS EQUIPMENT AND PARTS BREAKDOWN ORDER SHEET

Wedge Clamp Systems Inc.
170-21320 Gordon Way, Richmond BC V6W 1J8
Tel: 604-207-9595 Fax: 604-207-9593 Toll Free: 1-800-615-9949
www.wedgeclamp.com



Parts Information

10020/10050 Wall Racks	3
10200 Mobility Wheel Set	5
13000 EZE Roller	6
15000 Wide Body Adapter Kit	9
15020 BMW /Corvette Adapter Kit	10
15020 BMW/Corvette Adapter Kit (continues).....	11
15150 Honda Adapter Kit.....	12
15220 Mercedes Adapter Kit	13
15400 Length and Height Accessories	14
15900 Down Pull Kit.....	16
19100 Pivot Measuring System	17
22100 EZE Tie Down.....	18
24000 Pivot Quick Mount Kit	19
92300 Chain Anchoring System	20
92450 Chainless Anchoring System (with no rails)	22
92850 Full Frame Anchoring System.....	24
93050 Frame Rack Adapters.....	26
94100S Monocoque Tower.....	27
95100 Chain Board	30
95500 Clamping Kit.....	31
Installation Equipment	32

10020/10050 Wall Racks

Drawing Reference	Part No.	Description	Quantity Needed
1	10050	Wall Rack- Chainless Anchoring System	
2	10020	Wall rack- EZE Tie Down System	



1.

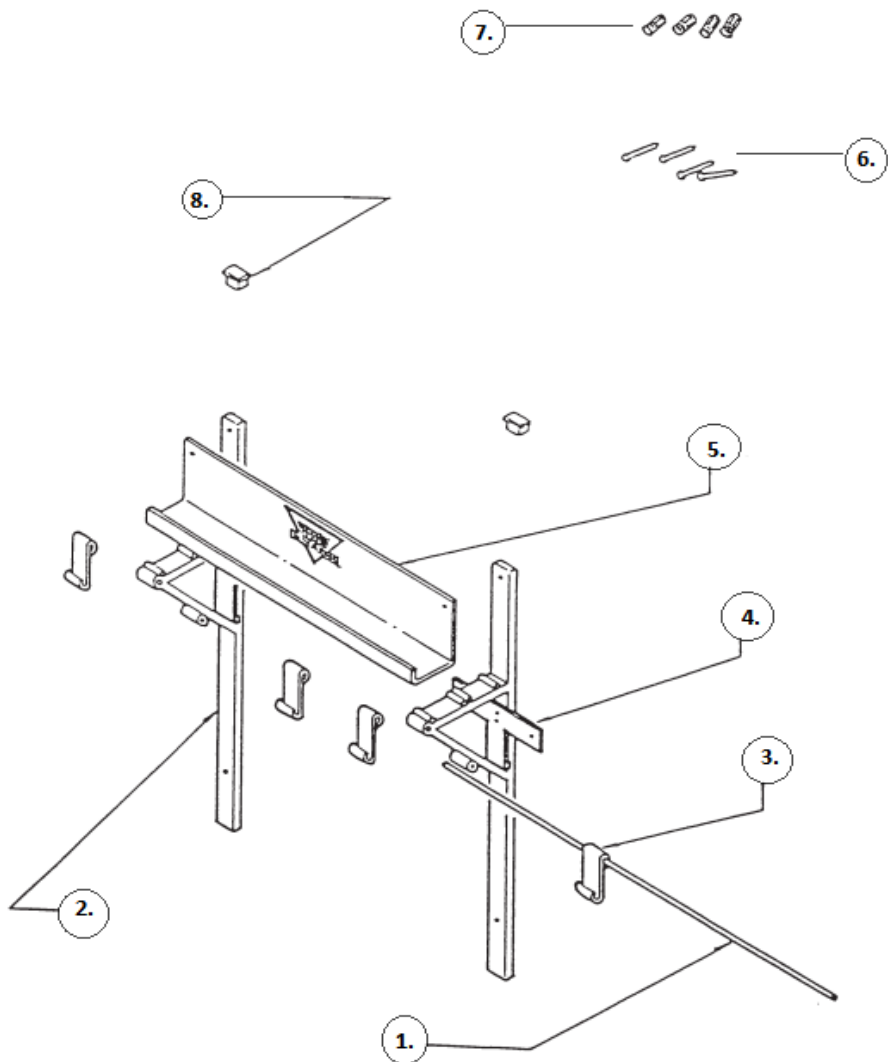


2.

NOTE: 10020 – includes: Different types of hooks for EZE Tie down Stands

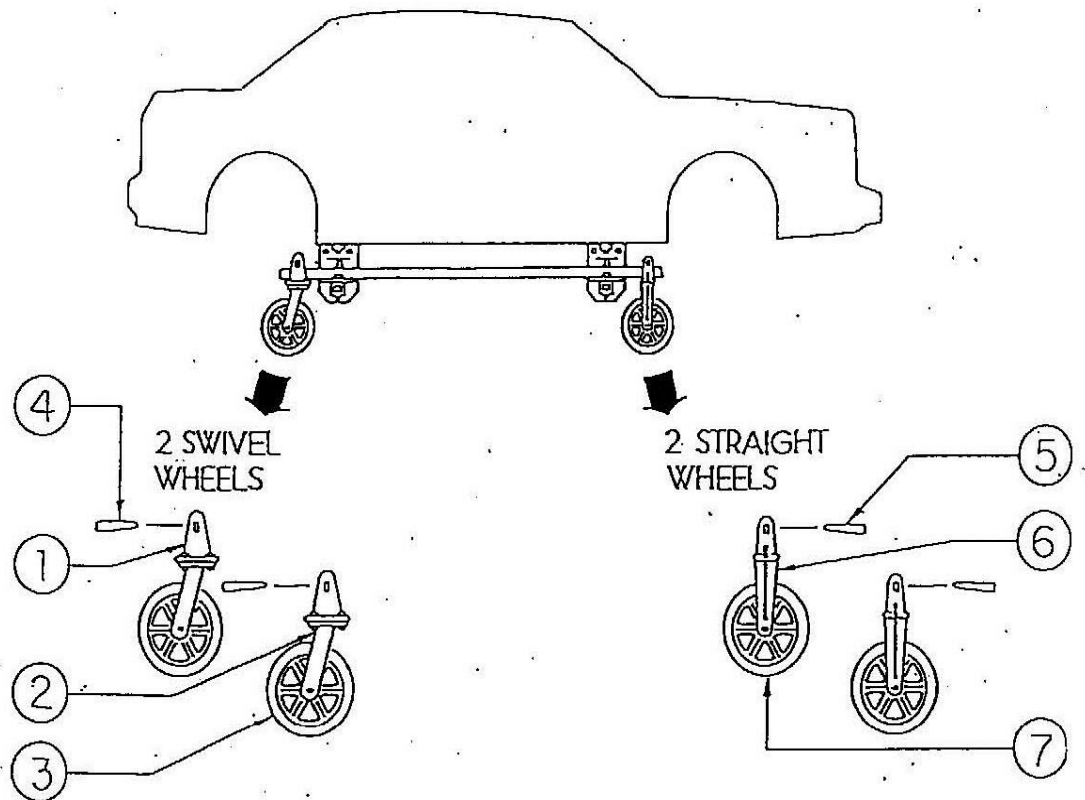
Anchoring Wall Rack Assembly

Drawing Reference	Part No.	Description	Quantity Needed
1.	10004	Rod Hanger Part	
2.	10052	Lower Vertical Support	
3.	10004	Hooks for 10050 only	
4.	10057	Mobility Wheel hanger	
5.	10007	Wall Rack Tray	
6.	10055	¼ " x 3 ½" Lag Bolt	
7.	10054	½" Lead Anchor shield	
8	10061	Vertical Support Cap	
*	10023	Hooks for 10020 only	

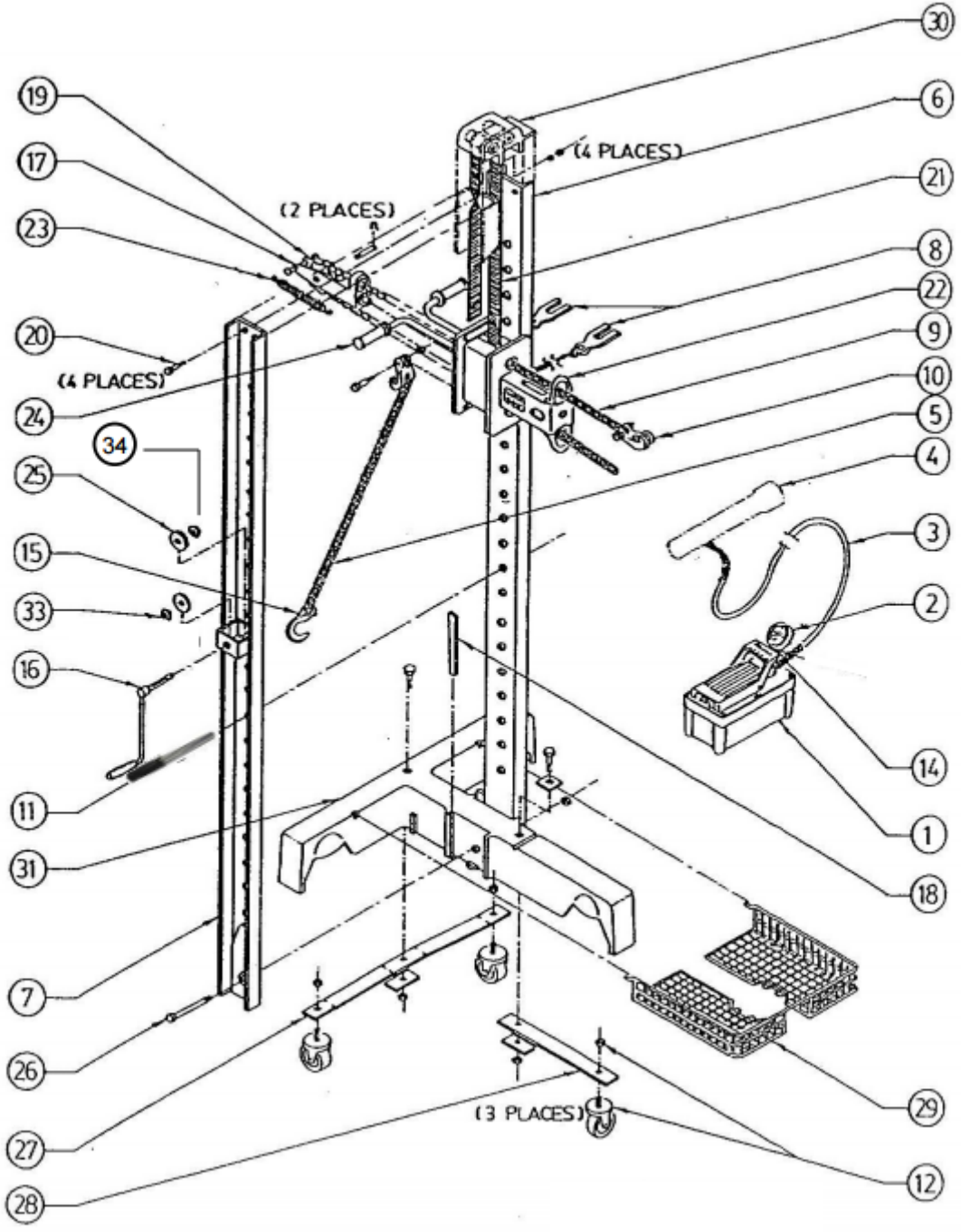


10200 Mobility Wheel Set

Drawing Reference	Part No.	Description	Quantity Needed
	10200	MOBILITY WHEELS	
		Mobility Wheel Set Complete includes four wheels, mounting brackets and wedges	
1	10205	Bracket, Wheel, Swivel	
3,7	10203	Wheel, Mobility	
4,5	20060	Wedge, Steel	
6	10204	Casting, Bracket, Wheel	
2	10206	Assembly, Caster c/w Wheel and Wedge Bracket	
	10201	Decal, Always Install	
	10207	Instructions, Mobility Wheels	



13000 EZE Roller

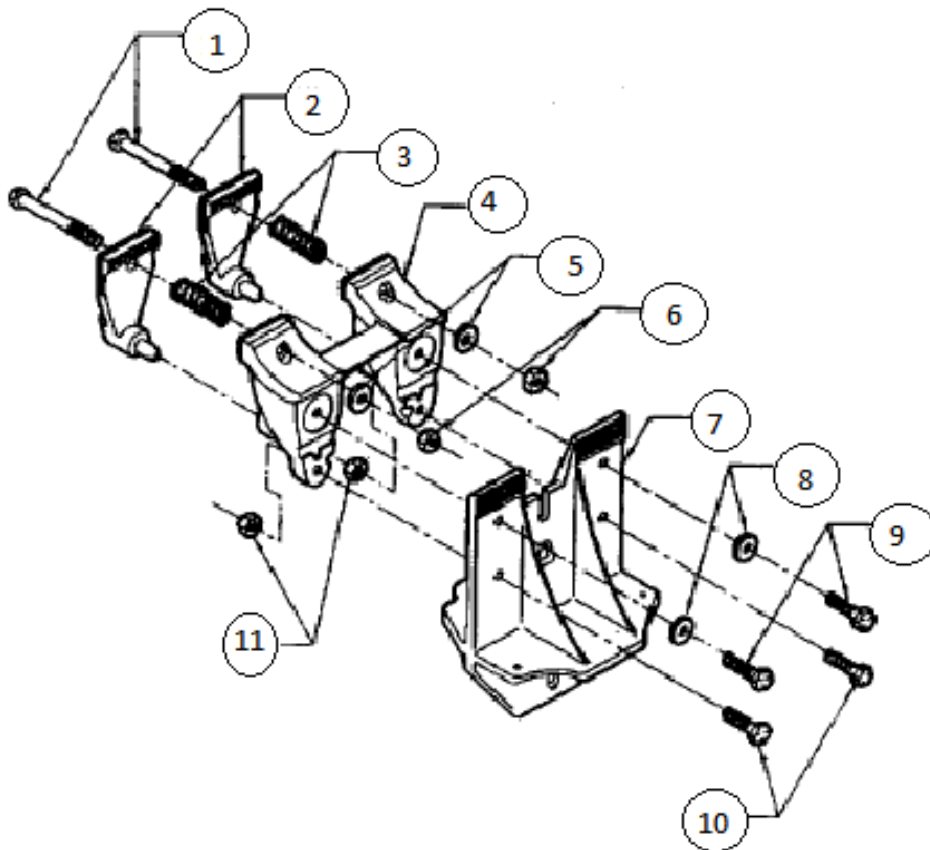


Drawing Reference	Part No.	Description	Quantity Needed
	13000	EZE-ROLLER PULLING MACHINE	
1	20054	Hydraulic Pump	
2	20113	Pressure Gauge	
3	20053	Hose, Hydraulic, 10 ft. long	
4	20014	Hydraulic Ram 10 Ton	
5	21009	8 ft. Grade 80 Anchoring Chain	
6	13011	7 ft. Steel Channel (left)	
7	13012	7 ft. Steel Channel (right)	
8	20061	Chain Lock	
	13035	Chain	
	16035	Lock Washer	
		NOTE: Crank handle mount on the right channel	
9	21009	10 ft. Pulling chain	
10	09067	Claw Hook c/w Bolt & Nut	
11	20055	Pulley Pin	
12	13018	Wheel, Caster	
14	20111	Fitting, Hydraulic Tee	
15	21007	Clevis Grab Hook 3/8" Chain	
16	13038	Crank Handle	
17	13044	Bracket, Pulley	
18	13032	Wedge, Channel Locking	
19	21001	Pulley, 3/8" Chain	
20	16025	Roller Cap Mounting Bolt	
	16004	Roller Cap Mounting Nut	
21	13034	10 ft. Black Nylon Strap	
22	13036	Carriage	
23	20003	Ram return Springs	
24	20101	Handle Grip	
25	16036	Washer	
26	16013	Channel Mounting bolt	
	16012	Channel Mounting Nut	
27	13014	Rear Spring	
28	13016	Front Spring	

29	13021	Chain Basket	
30	13050	Roller Cap	
31	13013	EZE Roller blue Base	
33	13063	Ringed Bearing	
34	13007	Bearing	
1,2,3,14	20045	Pump Assembly with hose includes (1) 20111 (1) 20113 (1) 20053 (1) 20054	

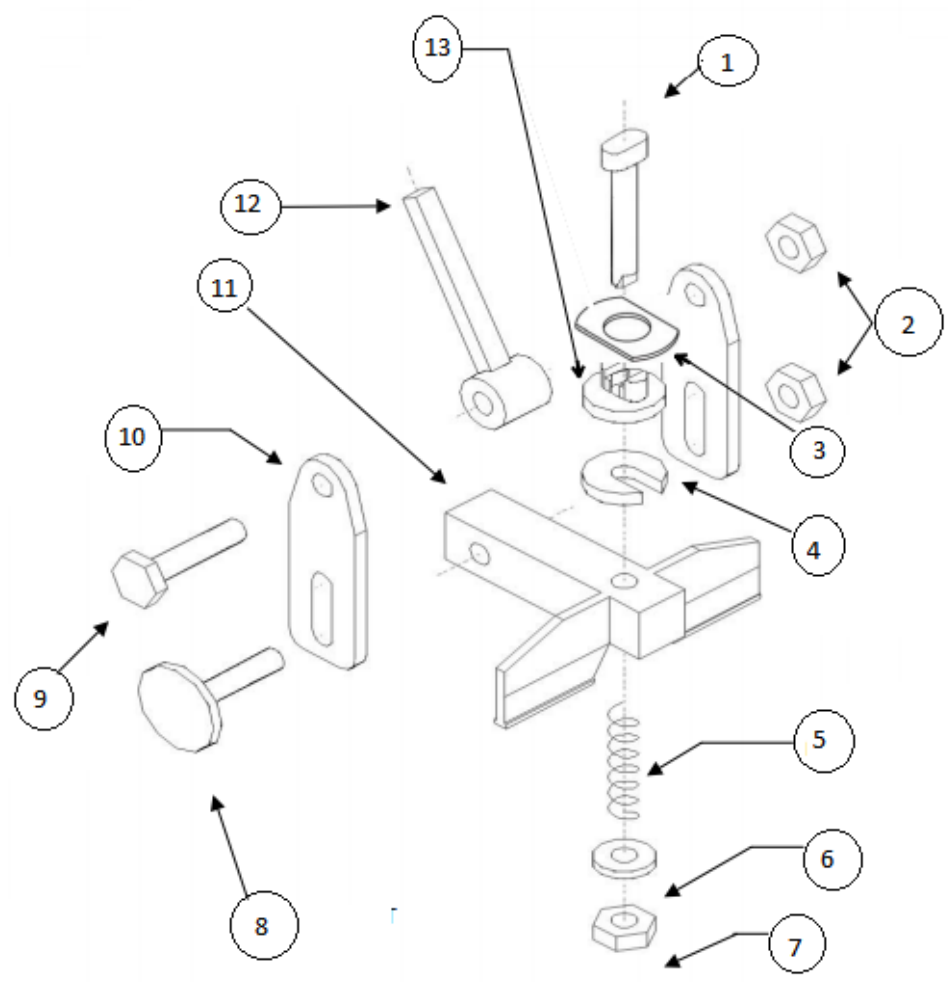
15000 Wide Body Adapter Kit

Drawing Reference	Part No.	Description	Quantity Needed
1	16055	3" Bolt	
2	17005	Jaw Plate	
3	14218	Clamp Spring	
4	15003	Wide Body Adapter Bracket	
5	16058	Washer	
6	16057	Nut	
7	17004	T2 Clamp Body	
8	16058	Washer	
9	16056	½ " Bolt	
10	16056	½ " Bolt	
11	16057	Nut	



15020 BMW /Corvette Adapter Kit

Drawing Reference	Part No.	Description	Quantity Needed
1	15037	Bolt	
2	16059	Flange Nut	
4	15040	Spacer	
5	15036	Spring	
6	16102	Washer	
7	16059	Flange Nut	
8	16122	Carriage Bolt	
9	15041	Capscrew	
10	15031	Jack Hole Bracket	
11	15026	Adapter Body	
12	15032	Jack hole Pin	
13	15033	Base	



15020 BMW/Corvette Adapter Kit (continues) User Manual addition – July 2005

On some later BMW's model, the height of the flange in the rocker panel hole may be lower than in previous years. To ensure that the adapter has a snug fit, Part # 15038 washer (Fig. 1) can be placed on the base before inserting the bolt into the rocker panel hole (Fig. 2).



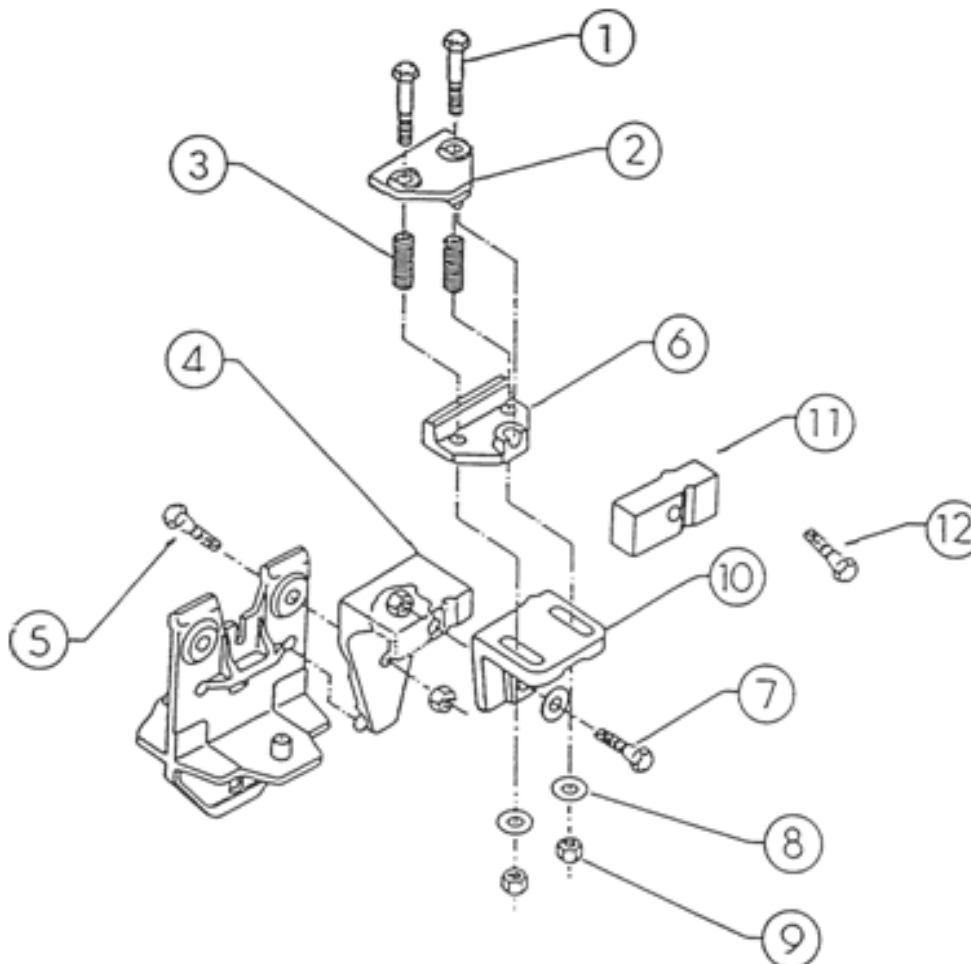
Fig. 1



Fig. 2

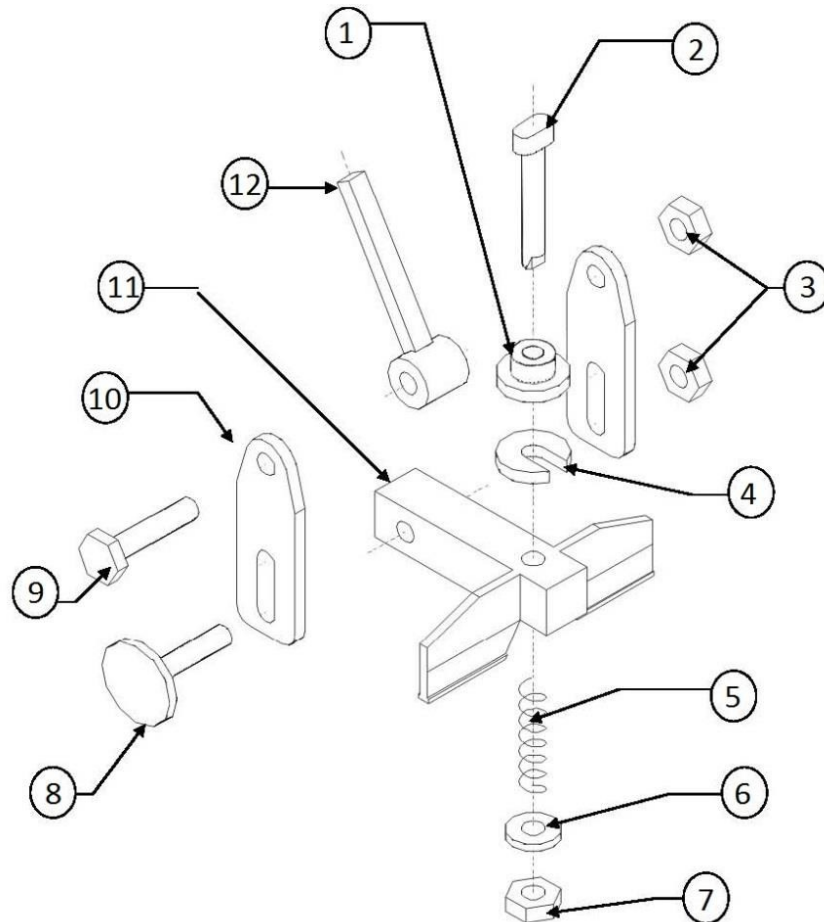
15150 Honda Adapter Kit

Drawing Reference	Part No.	Description	Quantity Required
1	16055	1/2" x 3" Capscrew NF PL GR 8	
2	15154	Q 73 Pad PL/Z	
3	14219	Clamp Spring	
4	15155	HA90 Honda Bracket PL/Z	
5	16056	1/2" x 1-1/2" Capscrew NF PL GR 8	
6	15158	HA93 Lower Jaw PL/Z	
7	16087	1/2" x 1-3/4" Capscrew NF PL GR 8	
8	16058	1/2 Metalloy Flat Washer	
9	16057	1/2" Nut NF PL GR 2	
10	15159	HA94 Adjusting Bracket PL/Z	
11	15161	Honda Kit Spacer	
12	16092	1/2" x 2-3/4" Capscrew NF PL GR 8	

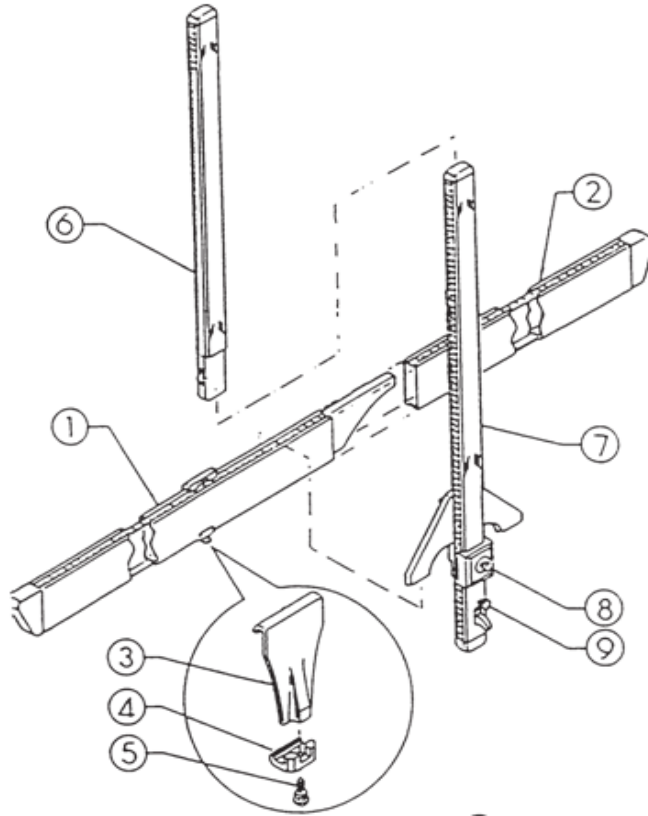


15220 Mercedes Adapter Kit

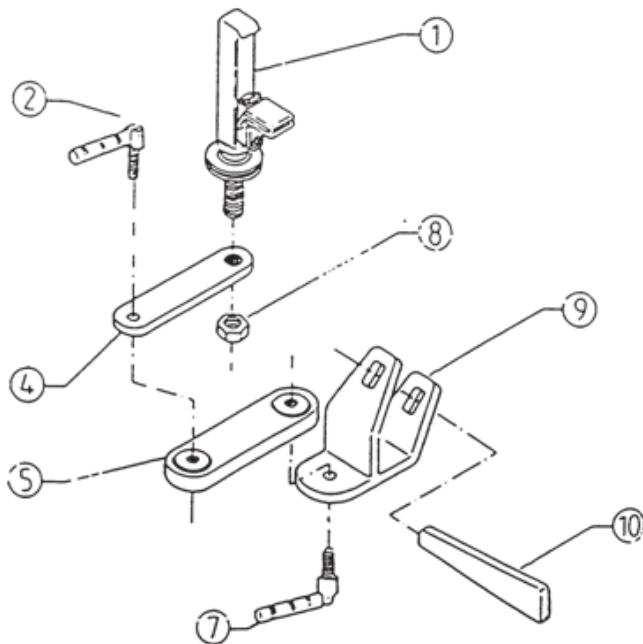
Drawing Reference	Part No.	Description	Quantity Needed
1	15233	Base	
2	15234	Bolt	
3	16059	Flange Nut	
4	15040	Spacer	
5	15036	Spring	
6	16102	Washer	
7	16059	Flange Nut	
8	16122	Carriage Bolt	
9	15041	Capscrew	
10	15031	Jack Hole Pin Bracket	
11	15026	Adapter Body	
12	15032	Jack Hole Pin	



15400 Length and Height Accessories



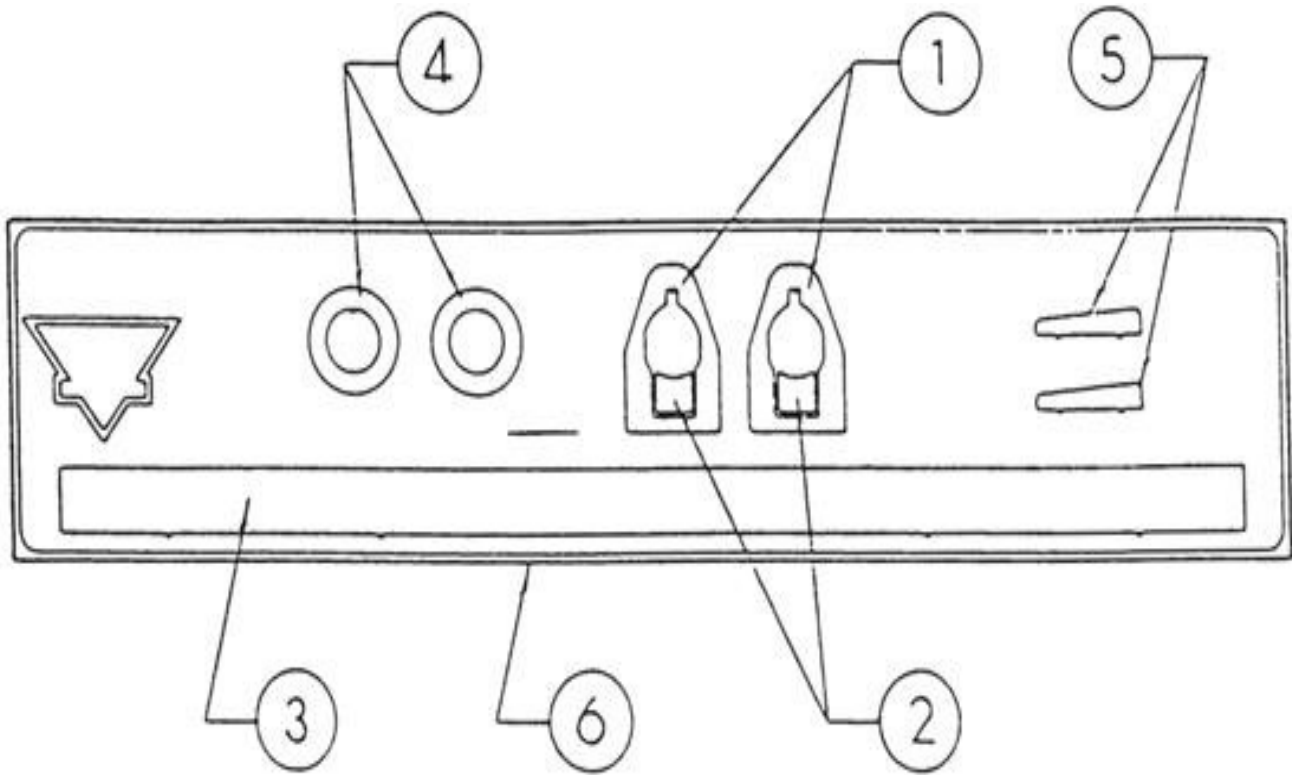
Length Bar Mount Accessory



Drawing Ref.	Part No.	Description	Quantity Needed
	15400	Length & Height Accessory.....	
1,2	*15406	*Length Bar Assembly, Male and Female.....	
	*15407	*must be ordered as a matched pair.....	
3,4,5	15478	Assembly Marker includes:(1)15479, (1)15480 (1)16031	
3	15479	Body, Marker.....	
4	15480	Cap, Marker.....	
5	16031	Thumbscrew 1/4" x 1/2" NC.....	
6	15405	Height Bar Extension.....	
7	15404	Height Bar Assembly.....	
8	16031	Thumbscrew 1/4" x 1/2" NC.....	
9	15418	Thumbscrew 3/8" x 1-1/2" NC.....	
Not shown	20026	Decal, Large Arrow.....	
Not shown	20027	Decal, Wedge Clamp.....	
Not shown	20028	Decal, Pivot Measuring System.....	
Not shown	20029	Decal, Small Arrow.....	
Not shown	15402	Instructions, Length & Height Accessory.....	
Not shown	15399	Instructions Video Length & Height Assembly.....	
		Length Bar Mount Assembly	
1	15437	Bar Holder Assembly.....	
2,7	15487	Swing Bolt Assembly.....	
4	15435	Mount Arm Extension.....	
5	15433	Mount Arm.....	
8	16016	Nut, Jam.....	
9	15431	Wedge, Bracket, Mounting.....	
10	20060	Wedge Steel.....	

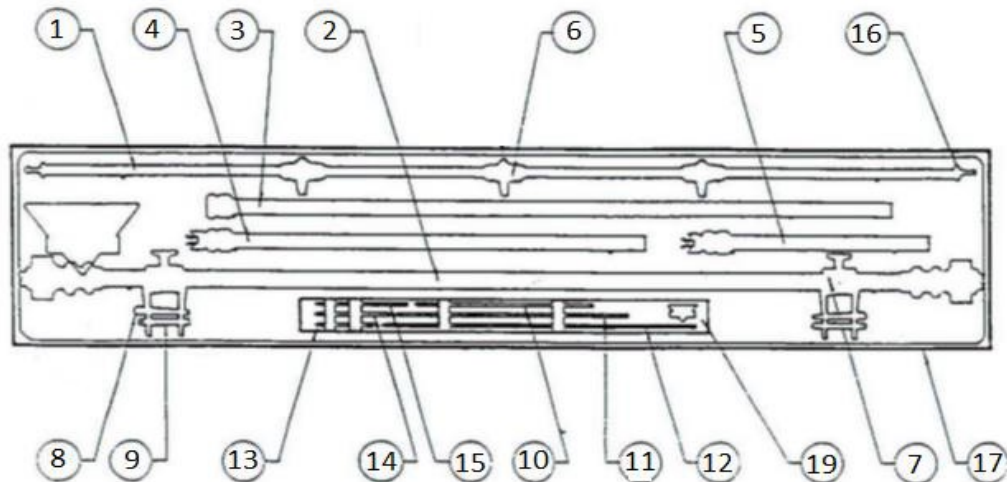
15900 Down Pull Kit

Drawing Reference	Part No.	Description	Quantity Needed
1	15901	DP3 Brackets	
2	15903	DP5 Spacer	
3	15905	7/8" Heavy Wall Pipe	
4	15902	DP4 Pulley	
5	20060	Wedge	
6	15904	Down Pull Kit Board	
Not Shown	15912	Bracket Pipe	



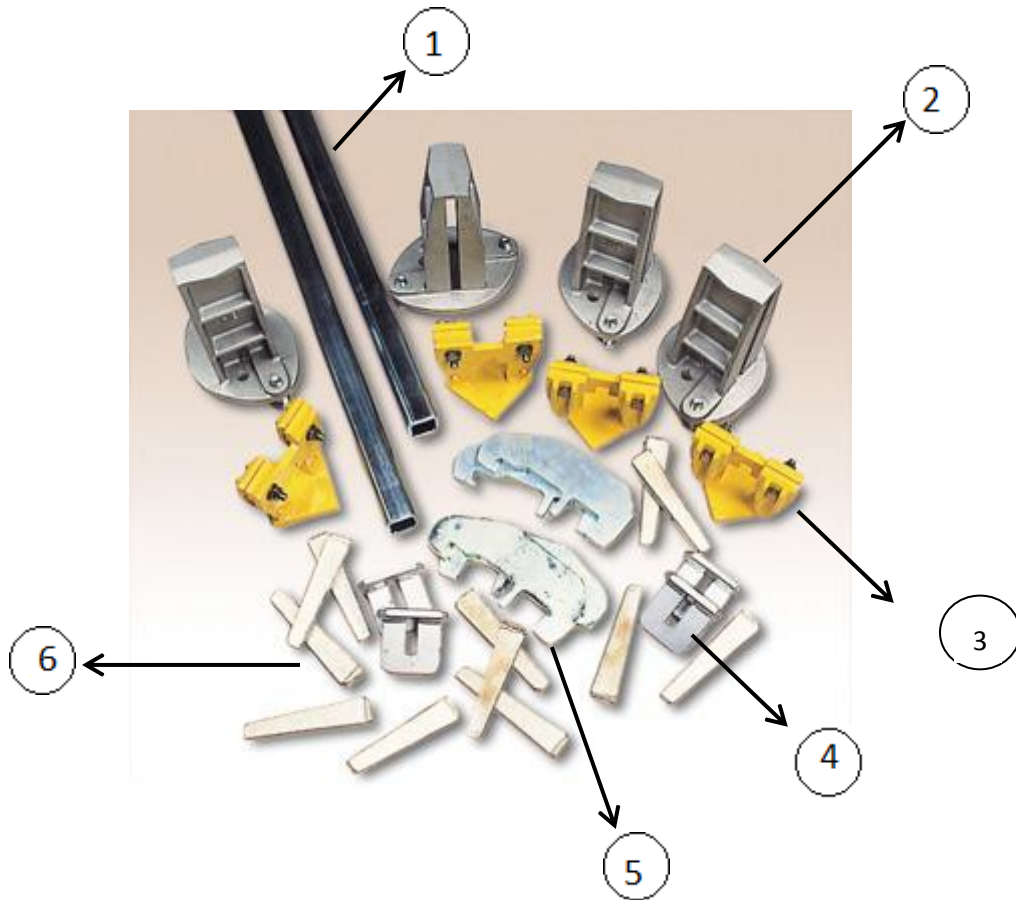
19100 Pivot Measuring System

Drawing Reference	Part No.	Description	Quantity Needed
1	19120	Measuring Crossbar Assembly	
2	19150	Pivot Tube Assembly (19150-Extended)	
3	15306	Long Side Tube (outer)	
4	11026	Medium Side Tube (inner)	
	11027	Medium Side Tube (outer)	
5	15323	Short Side Tube (outer)	
	15324	Short Side Tube (inner)	
6	19019	Pin Slide Assembly	
7	15350	Wedge Bracket Assembly – Left	
	15355	Wedge Bracket Assembly – Right	
8	11031	Aluminum Wedge	
9	11032	Plastic Wedge	
10	15321	(355mm) 14" Measuring Pin	
11	15322	(546mm) 21 ½" Measuring Pin	
12	11028	(685mm) 27" Measuring Pin	
13	11030	(140mm) 5 ½" Measuring Pin	
14	15320	(203mm) 8" Measuring Pin	
15	11029	(279mm) 11" Measuring Pin	
16	11056	"O" Ring	
17	19001	Tool Board	
18	15311	Pin Holder Board	



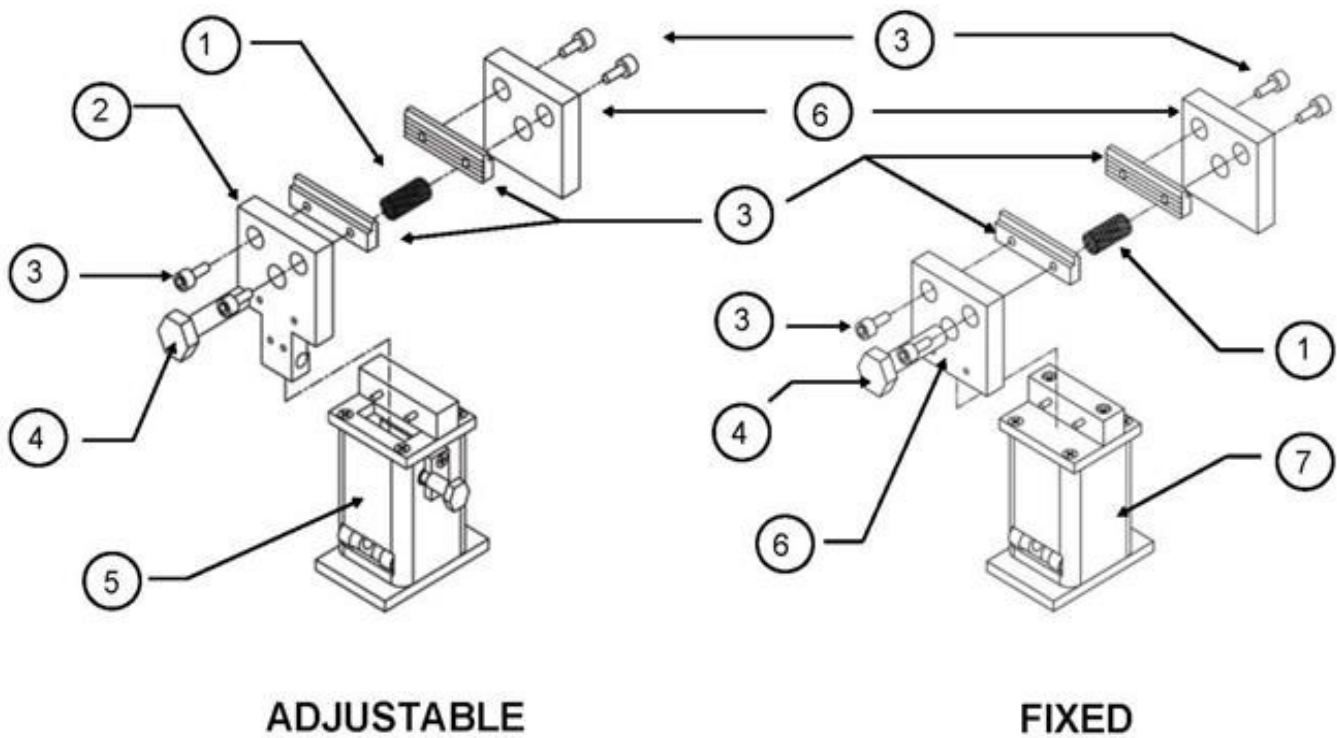
22100 EZE Tie Down

Drawing Reference	Part No.	Description	Quantity Needed
1	17103	Anchoring Bar, 80" Plated	
2	22049	EZE Tie Down Stand	
3	22029	EZE Tie Down Clamp w/ Accessories	
4	22040	EZE Tie Down Rail Dog	
5	22026	EZE Tie Down – Cross Bar Lock Plate	
6	20060	Wedge T3	

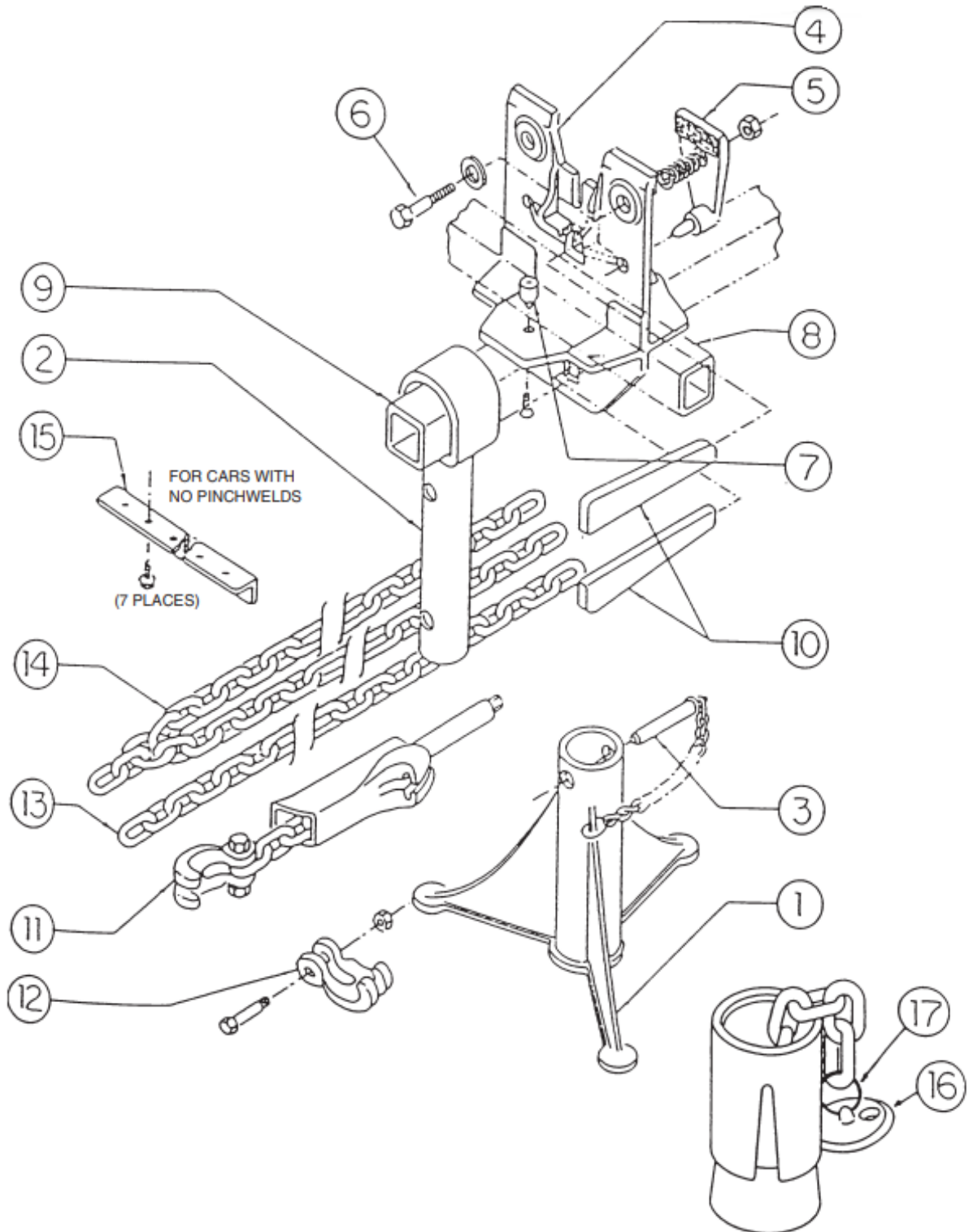


24000 Pivot Quick Mount Kit

Drawing Reference	Part No.	Description	Quantity Needed
1	15575	Spring	
2	24022	Clamp Plate	
3	14507	Black Jaw (set of 2 with screws)	
4	16087	Bolt	
5	24021	Clamp Body Adjustable	
6	24023	Clamp Jaw	
7	24041	Clamp Body Fixed	

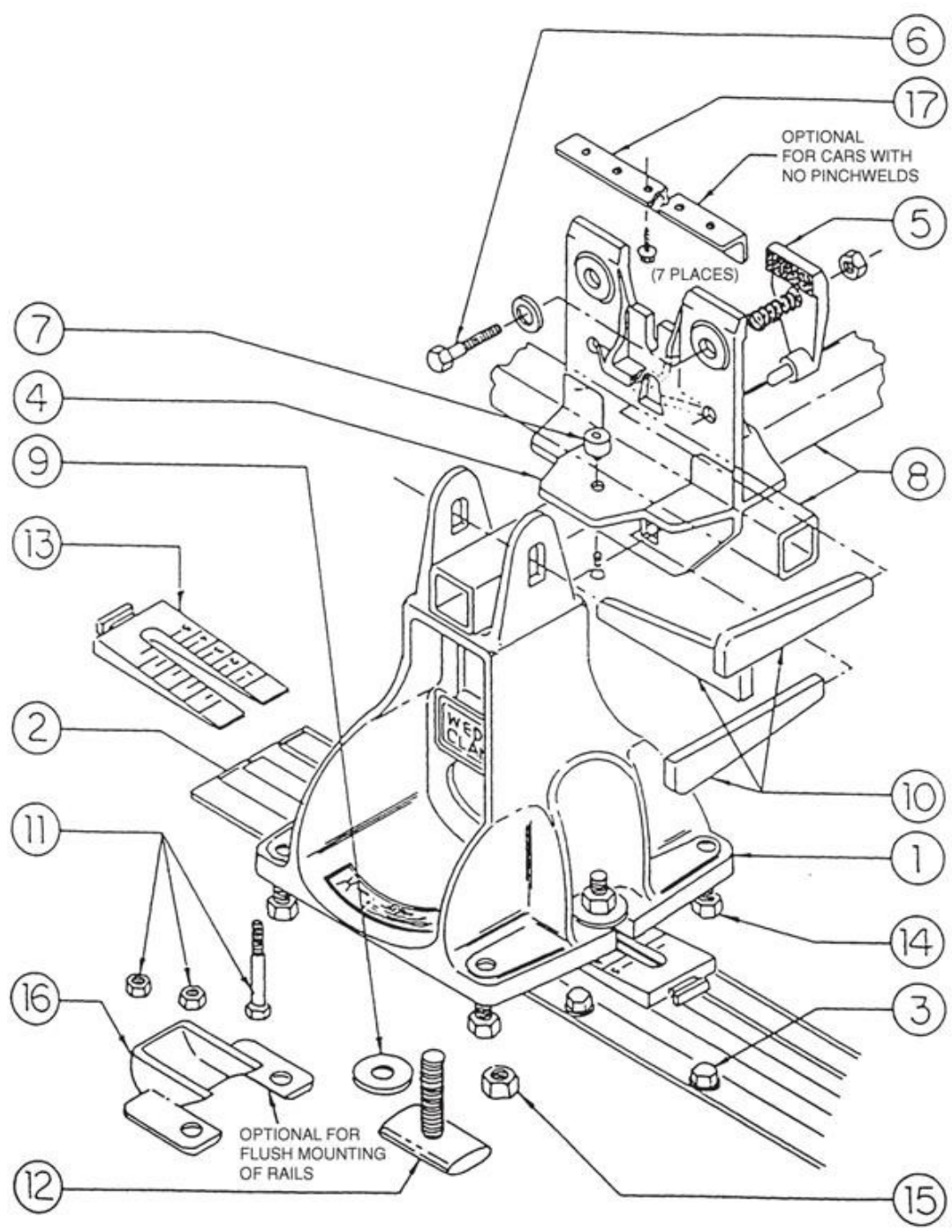


92300 Chain Anchoring System



Drawing Reference	Part No.	Description	Quantity Needed
	92300	CHAIN ANCHORING SYSTEM.....	
1	17405	Chain Stand Base.....	
2	17403	Chain Stand Extension	
not shown	17401	Half Wedge.....	
3	17411	Extension Pin	
4	17004	Clamp Body (hardware not included).....	
5	17005	Jaw Plate.....	
6	09068	Clamp Bolt, Spring, Nut & Washer	
7	17018	Retainer Button & Screw.....	
	16062		
8	17102	Sidebar, Anchoring, 72".....	
9	17104	Crossbar, Anchoring, 80"	
9	17105	Crossbar, Anchoring, 84" (optional).....	
10	20060	Wedge, Steel	
11	14305	Chain Cinch	
12	09067	Claw Hook c/w Nut & Bolt	
13	21009	Chain, H.S. Alloy, 3/8", (specify 5 ft. length).....	
14	17502	Chain Sling Assembly, 3 way.....	
15	15100	No Pinch Weld Adapter Kit (optional).....	
16	17311	Cap, Floor Pot.....	
17	17305	Ring, Floor Pot	
not shown	92301	Instruction Book, Anchoring System	
not shown	09083	Instruction Video, Anchoring System	
ASSEMBLIES			
4,5,6,7,10	17000	Sill Clamp Set includes four clamps complete with wedges	
11	17200	Chain Cinch Set includes: (6)14305.....	
16,17	17300	Floor Pot Set includes: (6)17302.....	
1,2,3	17400	Chain Stand Set includes: (4)17413.....	
13.14	17500	Chain Anchoring Set includes: (2)5'-21009; (2)17502	
1,2,3	17413	Chain Stand Complete includes: (1)17405; (1)17403; (1)17411	
4,5,6,7	17060	Sill Clamp w/Jaws and Hardware (T2 Cast Marking).....	

92450 Chainless Anchoring System (with no rails)



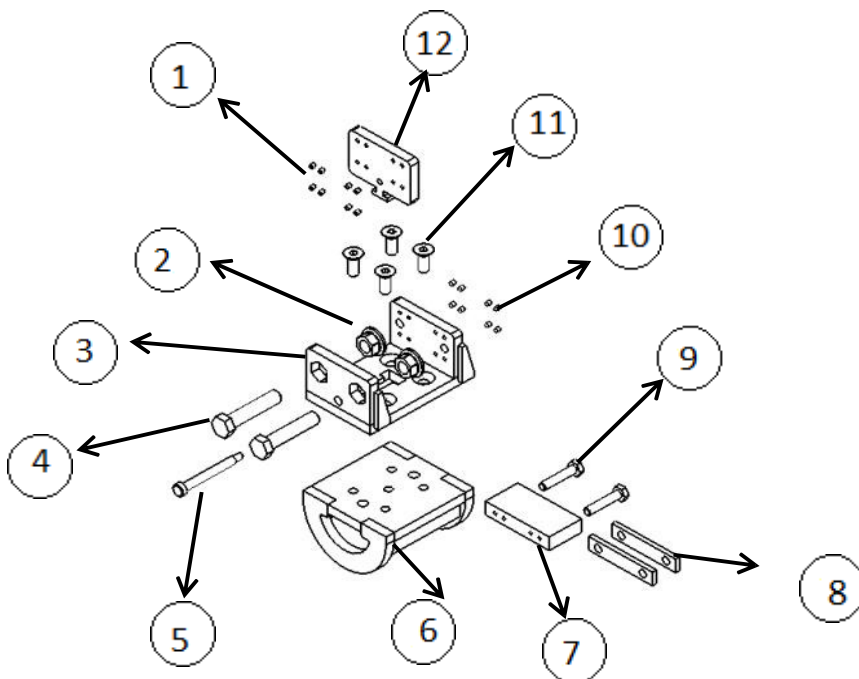
Drawing Reference	Part No.	Description	Quantity Needed
1	17603	Chainless Anchoring Stand (Hardware not included)	
2	17900	Anchoring Rail, Bevelled & Slotted	
3	17713	Anchor Bolt, Surface Mounting c/w Sleeve	
4	17004	Clamp Body (Hardware not included)	
5	17005	Jaw Plate	
6	09068	Clamp Bolt Assembly	
7	17018	Retainer Button & Screw	
	16012		
8	17103	Sidebar, Anchoring, 80"	
	17102	Crossbar, Anchoring, 72"	
	17105	Crossbar, Anchoring, 84" (Optional)	
9	16064	Washer, Flat, Rail Lock	
10	20060	Wedge, Steel	
11	16066	Anchor Bolt, Flush Mounting c/w (2)Nuts (Optional)	
	(2)16067		
12	17625	Rail Lock	
13	17605	Wedge, Chainless Rail Spacer	
14	16063	Bolt, Levelling	
15	16012	Nut, Rail Lock	
16	17902	Bevelled Rail Cleanout	
	17703	Square Rail Cleanout	
17	15100	No Pinchweld Adapter Kit (Optional)	
Not Shown	92301	Instruction Book, Anchoring System	
Not Shown	09083	Instruction Video, Anchoring System	
		ASSEMBLIES	
4,5,6,7,10	17000	Sill Clamp Set of 4 Clamps complete with Wedges	
8	17100	Anchoring Bar Set Includes: (2)17103; (2)17102	
1,9,10	17600	Chainless Anchor Stand Complete Includes:	
12,13		(1)17603; (2)17605; (2)16064; (2)16012;	
14, 15		(1)20060; (4)16063; (2)17604	
3	17714	Surface Mount Anchor Bolt Set Includes: (36)17713	
11	17707	Flush Mount Anchor Bolt Set Includes: (36)16066; (72)76067	
4,5,6,7	17060	Sill Clamp w/ Jaws & Hardware (T2 Cast Marking)	

***92400 Includes: 4 rails and 4 set of bolts**

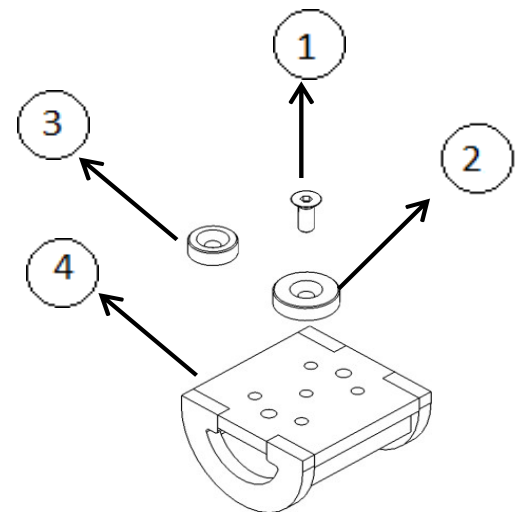
92850 Full Frame Anchoring System

Drawing Reference	Part No.	Description	Quantity Needed
		Box Frame and C-Section Adapter	
1,10	92885	Socket Setscrew	
2	92886	Nut Flange	
3	92887	Frame Clamp	
4	92883	Bolt Hex	
5	92884	Bolt Shoulder	
6	92881	Anchoring Adapter – Swivel Clamp Body	
7	92921	C Channel Adapter	
8	92930	C Channel Adapter Spacer	
9	92922	Bolt	
11	92888	Capscrew	
12	92882	Anchoring Adapter – Moving Clamp	
		Frame Hole Adapter	
1	92888	Capscrew	
2	92960	Anchoring Adapter – Hole Adapter	
3	92950	Anchoring Adapter – Frame Hole Adapter	
4	92881	Anchoring Adapter – Swivel Clamp Body	

Box Frame and C-Section Adapter

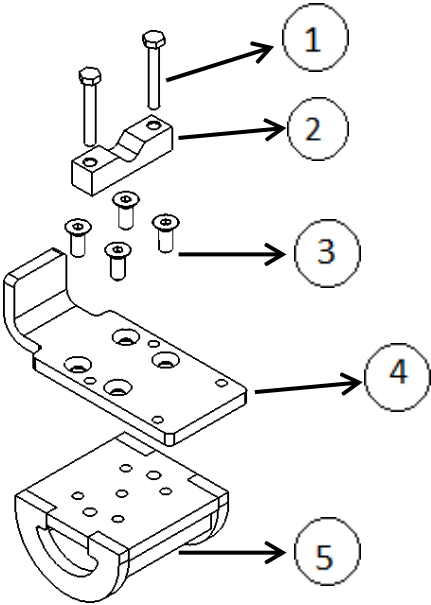


Frame Hole Adapter

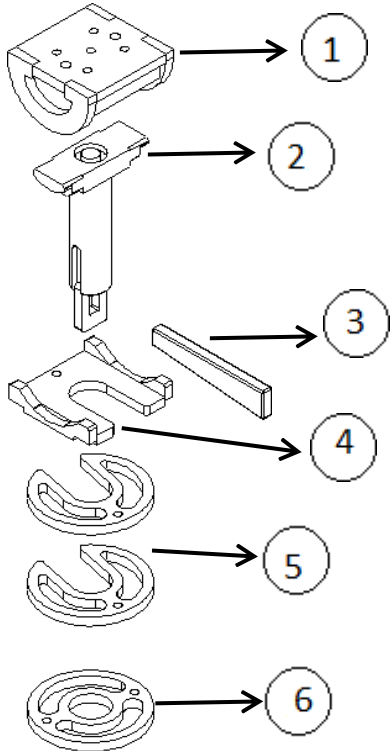


		Leaf Spring and Torsion Bar Adapter	
1	92943	Bolt	
2	92942	Leaf & Torsion Spring Clamp	
3	92888	Capscrew	
4	92941	Leaf Spring Adapter	
5	92881	Anchoring Adapter – Swivel Clamp Body	
		Swivel Base Assembly	
1	92881	Anchoring Adapter – Swivel Clamp Body	
2	92900	Pull Down Bar	
3	20060	Wedge T3	
4	92890	Swivel Base Plate	
5	92910	“C” Spacer Round	
6	92913	Full Spacer Square	

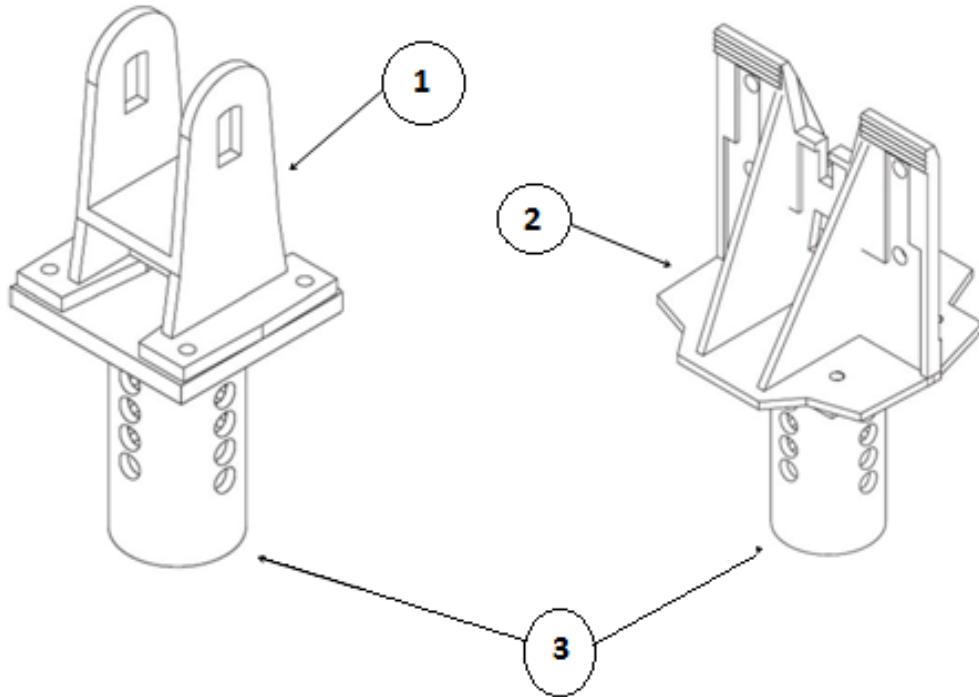
Leaf Spring and Torsion Bar Adapter



Swivel Base Assembly

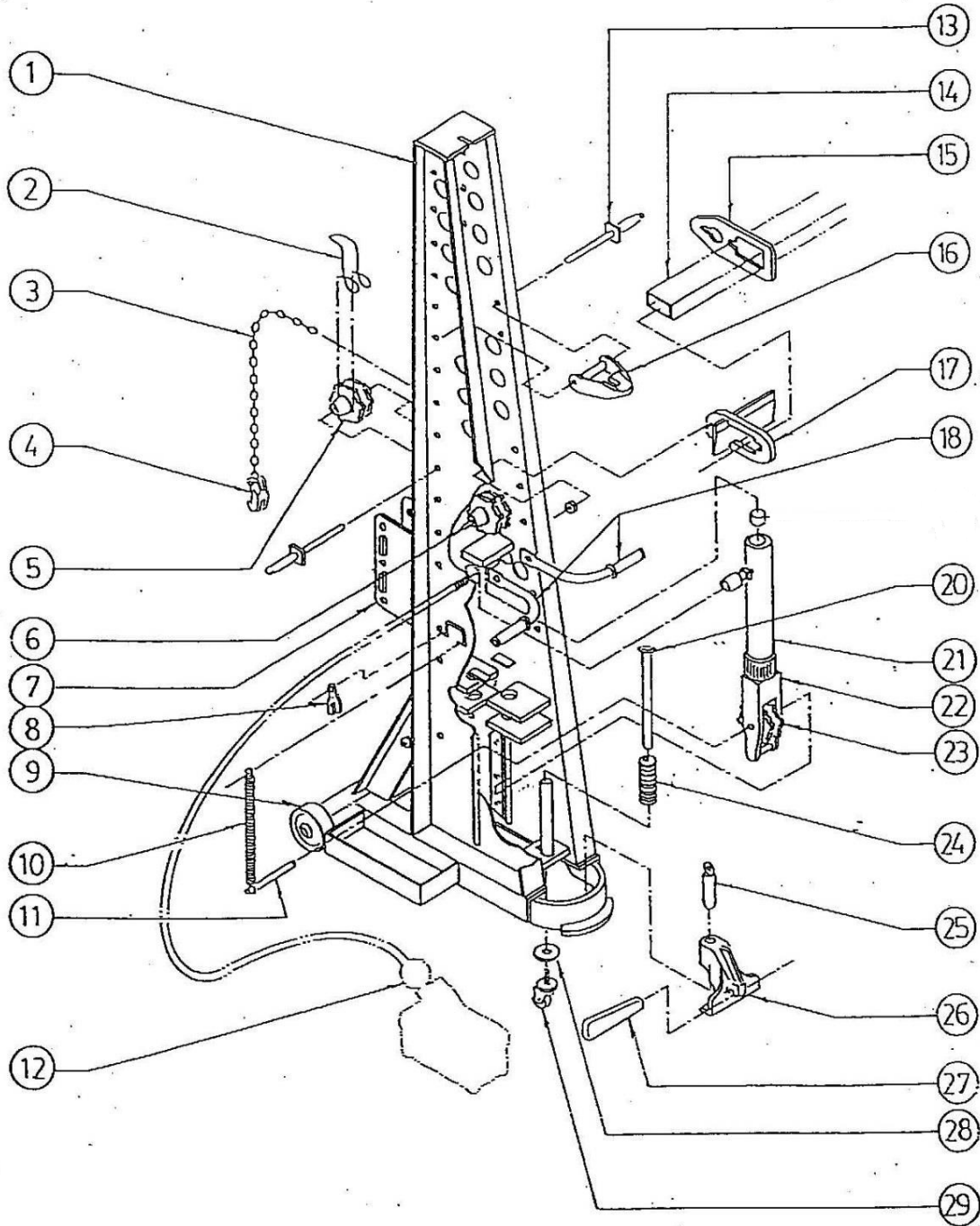


93050 Frame Rack Adapters



Drawing Reference	Part No.	Description	Quantity Needed
1	17654	W37 Bench Adapter	
2	17002	1/2 -T2 Clamp	
3	93051	Frame Rack Stand	

94100S Monocoque Tower

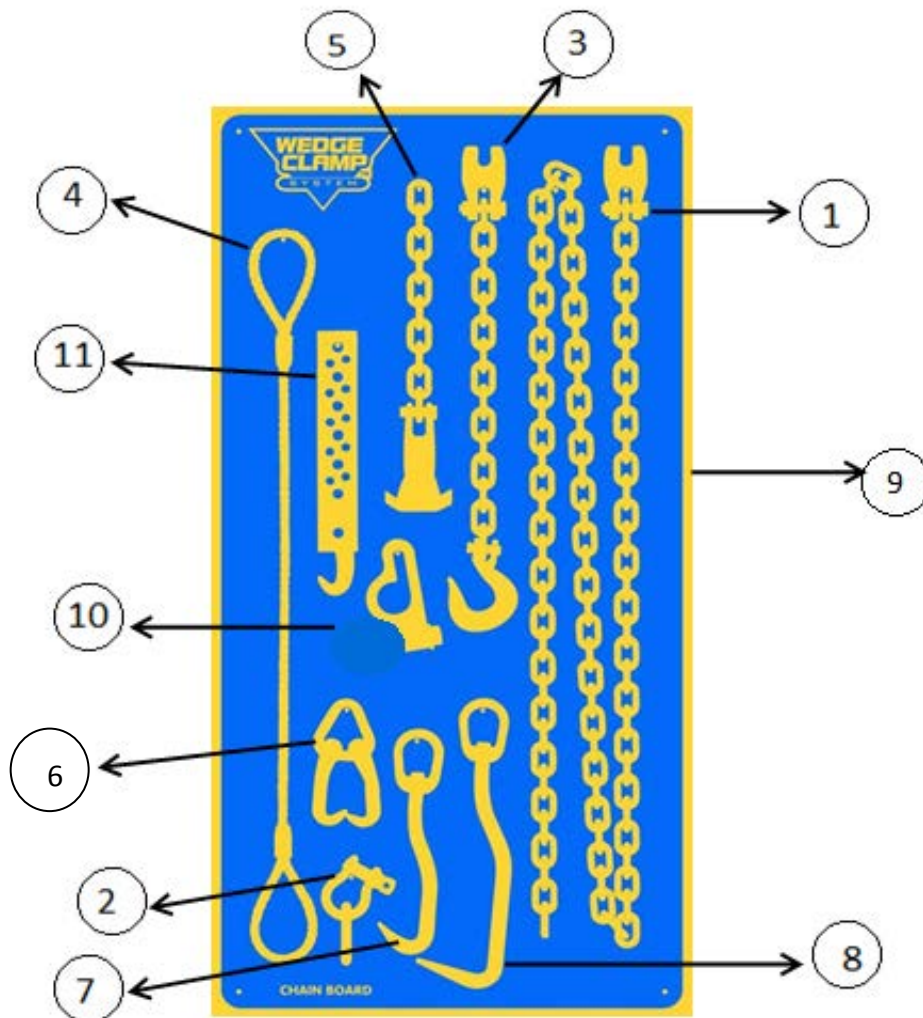


Drawing Reference	Part No.	Description	Quantity Needed
1	20015	Monocoque Tower Frame (no Hardware)	
2	20063	Spring, Anti Roll, Pulley	
3	21009	H.S. Alloy Chain, 3/8", (specify 16 ft. length)	
	20116	H.S. Alloy Chain, 5/16", (specify 16ft. length) (Optional)	
4	20104	Claw Hook, 5/16" Chain (Optional)	
	09067	Claw Hook c/w Bolt & Nut, 3/8" Chain	
Not Shown	21006	Clevis Slip Hook, 3/8" Chain	
Not Shown	21007	Clevis Grab Hook, 3/8" Chain	
5	21002	Pulley With Boss, 3/8" Chain	
	20039	Pulley with Boss, 5/16" Chain (Optional)	
6	20010	Pulley Shaft	
7	20047	Low Pull Brackets	
8	20061	Chain Lock	
9	20009	Wheel, Cast, 4"	
10	20003	Spring, Ram Return	
11	20005	Spring, Pulley Shaft	
12	20054	Hydraulic Pump	
	20053	Hydraulic Hose	
	20111	Hydraulic Tee Fitting	
	20112	Hydraulic Elbow Fitting	
	20113	Pressure Gauge	
13	20055	Pulley Pin	
14	20601	Back Brace Tube (Optional)	
15	20602	Back Brace Pull Bracket (Optional)	
16	20056	Chain Tie Back	
17	20603	Backbrace Mounting Bracket (Optional)	
18	20057	Mobility Handle Assembly	
	20101	Handle Grip	
20	20125	Caster Wheel Shaft Assembly	
21	20014	Hydraulic Ram	
22	20037	Pulley Bracket	
23	20038	Pulley – No Boss, 5/16" Chain (Optional)	
	21001	Pulley – No Boss, 3/8" Chain	
24	20008	Spring, Caster Wheel	
25	20059	Tiedown Pin	

26	20058	Rail Tiedown	
27	20060	Locking Wedge	
28	16011	Washer, Caster	
29	20009	Wheel, Caster	
Not Shown	20092	Instruction Book Monocoque Tower	
Not Shown	20500	Engine Lift Complete, 5/16" Chain	
Not Shown	21500	Engine Lift Complete, 3/8" Chain	
Not Shown	20018	Decal, Caution Force Max	
Not Shown	20019	Decal, Monocoque Tower	
Not Shown	20020	Decal, P.S.I. Max	
		ASSEMBLIES	
	20052	Assembly, Pressure Gauge includes: (1)20111, (1)20112, (1)20113	
	20045	Assembly, Pump with Hose includes: (1)20111, (1)20112, (1)20113, (1)20053,(1)20054	

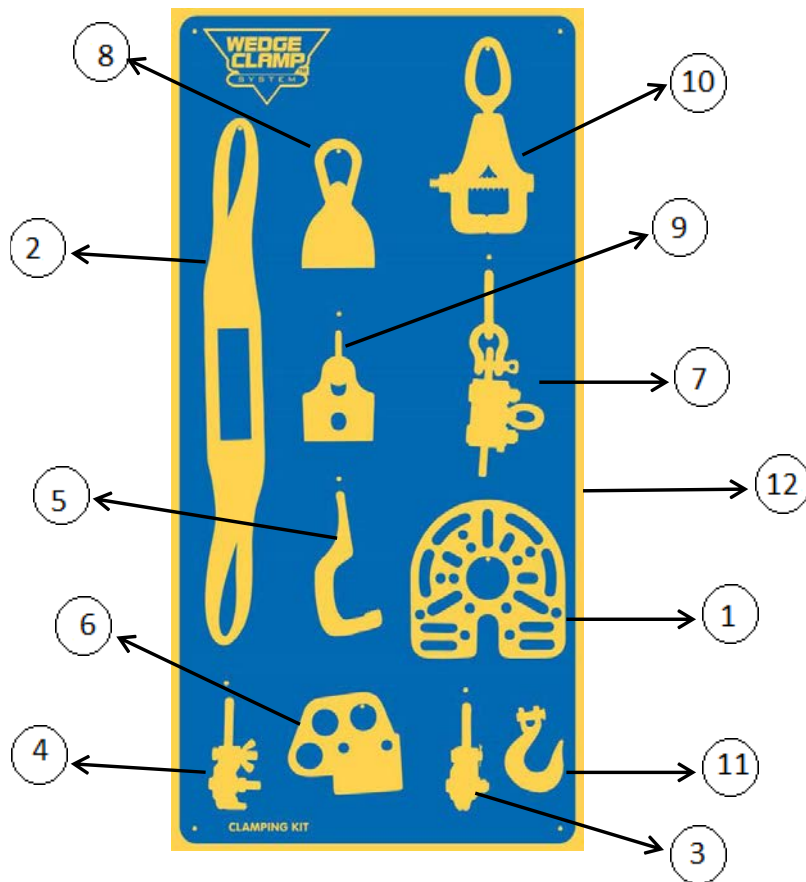
95100 Chain Board

Drawing Reference	Part No.	Description	Quantity Needed
1	13058	Chain with Hook, 10' 3/8"	
2	14102	Chain Shackle	
3	14105	Claw Chain Eye Assy	
4	14108	Cable Sling	
5	14109	Frame Plug with Chain	
6	14110	Double Claw Hook	
7	14112	Large Round Hook	
8	14113	Small Round Hook	
9	14119	Tool Board, 95100	
10	18023	Any Angle Puller, 5/8"	
11	18076	Narrow Pull Bar w/Single	



95500 Clamping Kit

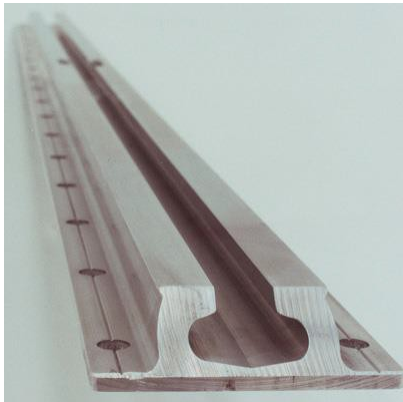
Drawing Reference	Part No.	Description	Quantity Needed
1	14404	McPherson Strut Kit	
2	14411	Nylon Sling	
3	18007	Mini Pull, with Spring	
4	18008	Reversible Mini Pull	
5	18014	Flange Hook	
6	18019	Multi Angle Pull Clamp	
7	18030	H – T Jaws, with Bar	
8	18060	Three Way Pull Clamp	
9	18065	Side Pull Bracket, with Shackle	
10	18085	Large Mouth Clamp	
11	21006	Clevis Slip Hook c/w Pin, 3/8in.	
12	14118	Tool Board 95500	



Installation Equipment

Drawing Reference	Part No.	Description	Quantity Needed
1	17700	Rails - Anchoring Rail, No Slot, No Bevel	
	17950	Rails - Anchoring Rail, 1-1/2 Slot, No Bevel	
2	17703	Square Cleanout	
3	17708	Connector	
Not Shown	17707	Anchoring Bolts (Surface Mounting)	
Not Shown	17714	Anchoring Bolts (In Ground Installation)	

1



2



3

