



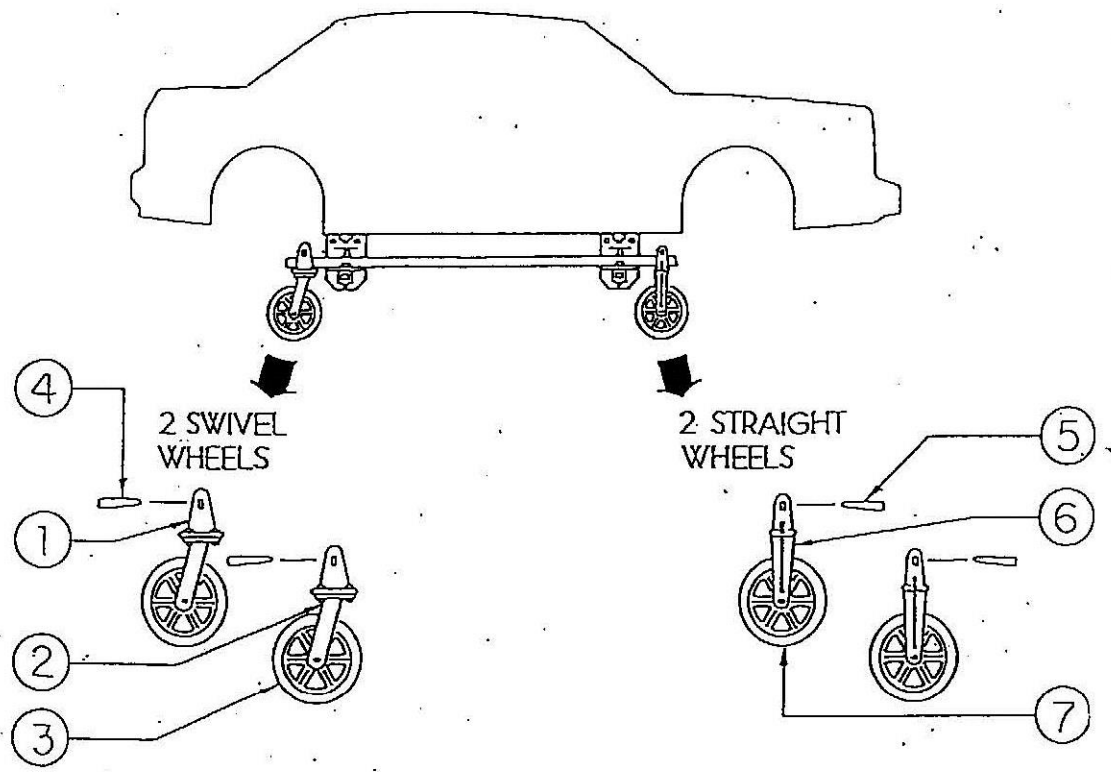
WEDGE CLAMP SYSTEMS EQUIPMENT AND PARTS BREAKDOWN ORDER SHEET

Wedge Clamp Systems Inc.
170-21320 Gordon Way, Richmond BC V6W 1J8
Tel: 604-207-9595 Fax: 604-207-9593 Toll Free: 1-800-615-9949
www.wedgeclamp.com



10200 MOBILITY WHEEL SET

Drawing Reference	Part No.	Description	Quantity Needed
	10200	MOBILITY WHEELS	
		Mobility Wheel Set Complete includes four wheels, mounting brackets and wedges	
1	10205	Bracket, Wheel, Swivel	
3,7	10203	Wheel, Mobility	
4,5	20060	Wedge, Steel	
6	10204	Casting, Bracket, Wheel	
2	10206	Assembly, Caster c/w Wheel and Wedge Bracket	
	10201	Decal, Always Install	
	10207	Instructions, Mobility Wheels	

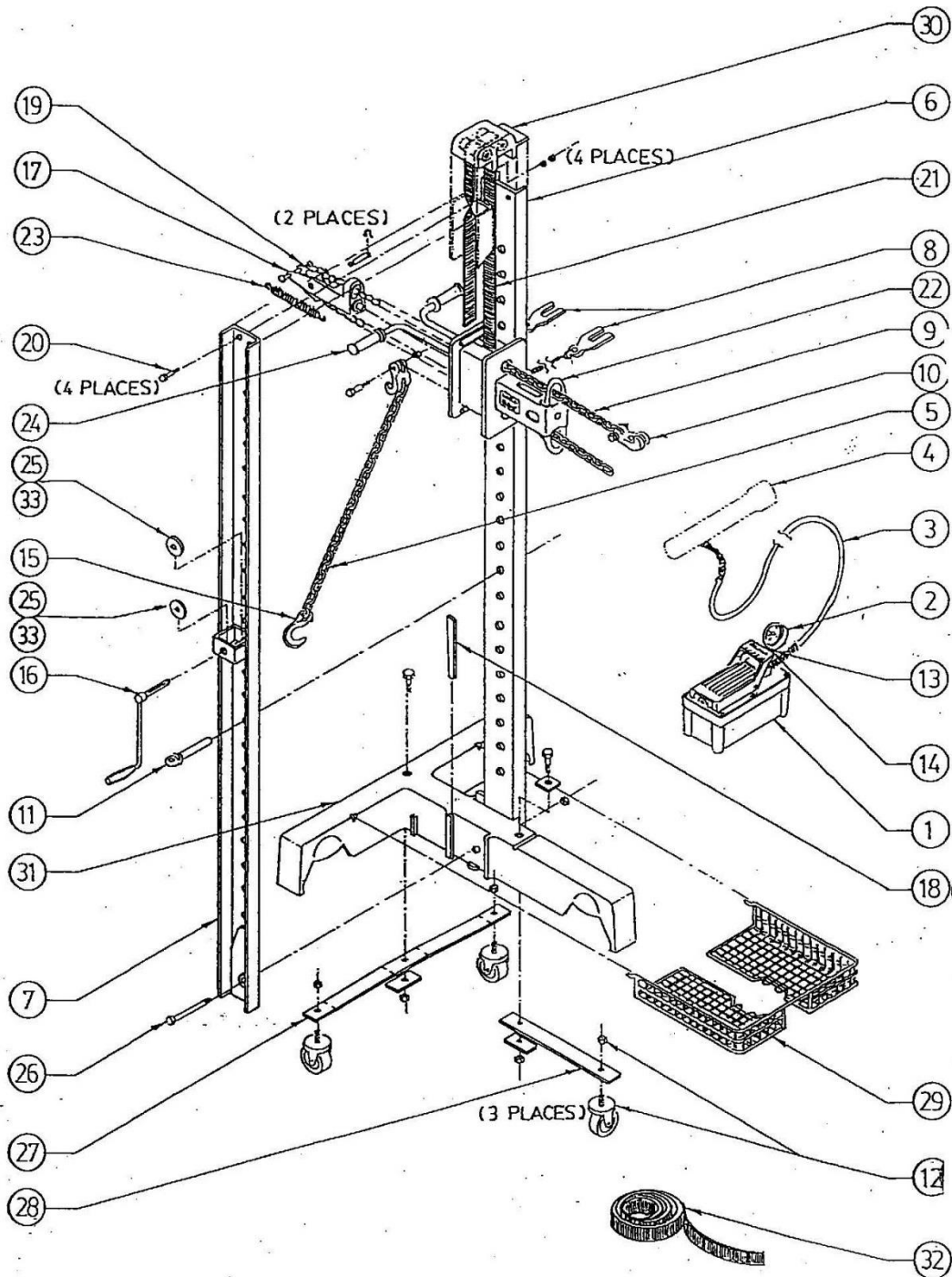




13000 EZE ROLLER

Drawing Reference	Part No.	Description	Quantity Needed
	13000	EZE-ROLLER PULLING MACHINE	
1	20054	Hydraulic Pump	
2	20113	Pressure Gauge	
3	20053	Hose, Hydraulic Pump	
4	20014	Hydraulic Ram 10 Ton	
5	21009	Chain, H.S. Alloy, 3/8", (specify 8ft. length)	
6	13011	Channel, 7ft., Left	
7	13012	Channel, 7ft., Right	
8	20061	Chain Lock	
9	21009	Chain, H.S. Alloy, 3/8", (specify 10ft. length)	
10	09067	Claw Hook c/w Bolt & Nut, 3/8" Chain	
11	20055	Pulley Pin	
12	13018	Wheel, Caster	
13	20112	Fitting, Hydraulic Elbow	
14	20111	Fitting, Hydraulic Tee	
15	21007	Clevis Grab Hook 3/8" Chain	
16	13038	Assembly, Handle, Crank	
17	13044	Bracket, Pulley	
18	13032	Wedge, Channel Locking	
19	21001	Pulley, No Boss, 3/8" Chain	
20	16025	Capscrew, 3/8" x 1 1/4"	
21	16009	Nut	
22	13034	Belt, 10ft.	
23	13036	Carriage, Ram	
24	20003	Spring, Return	
25	20101	Handle Grip	
26	16036	Washer, Handle, Crank	
27	16013	Capscrew, Mounting, Channel	
28	16012	Nut, Rail Lock	
29	13014	Spring, Leaf, Rear	
30	13016	Spring, Leaf, Front	
31	13021	Basket, Chain	
32	13050	Cap, Aluminum	
33	13013	Base, Eze Roller	
34	13027	Safety Strap	
35	13007	Ring Bearing	
	13059	Decal, Always use Safety Strap	
	13015	Instruction Book, EZE Roller	

ASSEMBLIES		
2,13,14	20052	Assembly, Pressure Gauge includes: 20111,20112,20113
1,2,3,13,14	20045	Assembly, Hydraulic Pump with Hose includes: 20111,20112,20113,20053,20054
	13001	EZE Roller Base Assy. Includes: 13013,13014,13016,13018,13021
	13002	EZE Roller Channel Assy. Includes: 13011,13012

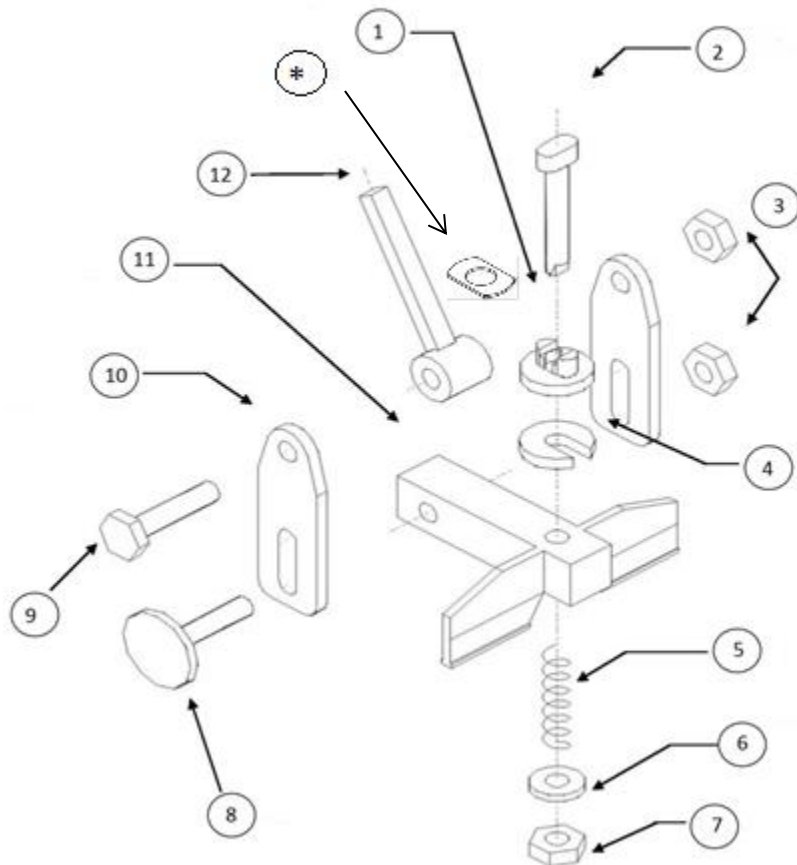




15020 BMW /Corvette Adapter Kit

Drawing Reference	Part No.	Description	Quantity Needed
1	15033	Base	
2	15037	Bolt	
3	16059	Flange Nut	
4	15040	Spacer	
5	15036	Spring	
6	16102	Washer	
7	16059	Flange Nut	
8	16122	Carriage Bolt	
9	15041	Capscrew	
10	15031	Jack Hole Pin Bracket	
11	15026	Adapter Body	
12	15032	Jack Hole Pin	

PARTS DIAGRAM



*Refer to below letter

BMW/Corvette Adapter Kit

Part #15020

User Manual addition – July 2005

On some later model BMW's, the height of the flange in the rocker panel hole may be lower than in previous years. To ensure that the adapter has a snug fit, Part # 15038 washer (Fig. 1) can be placed on the base before inserting the bolt into the rocker panel hole (Fig. 2).



Fig. 1

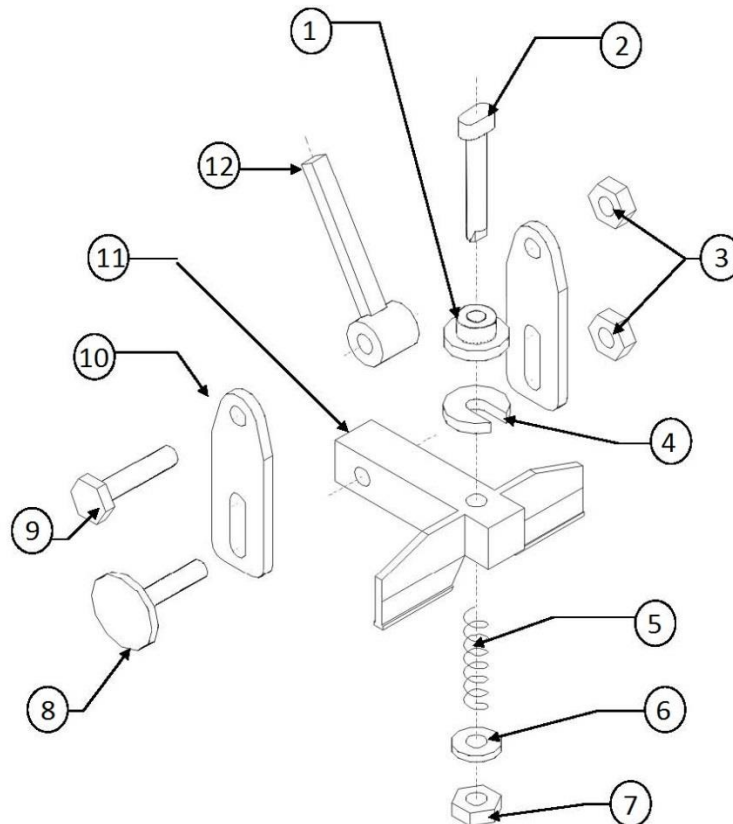


Fig. 2



15220 Mercedes Adapter Kit

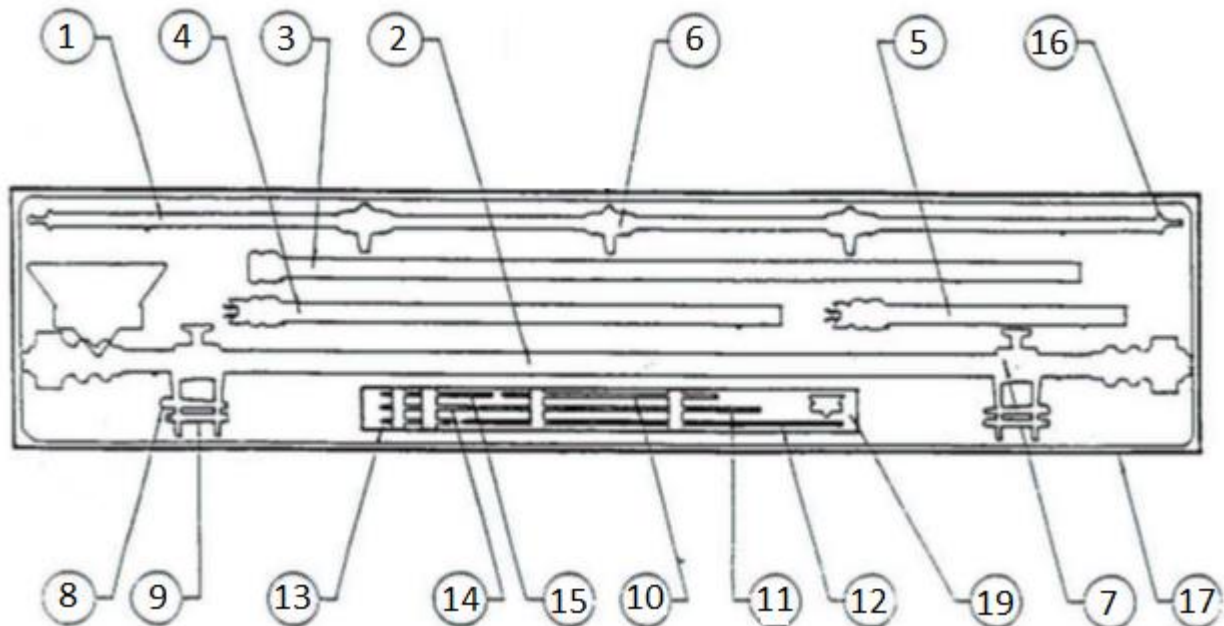
Drawing Reference	Part No.	Description	Quantity Needed
1	15233	Base	
2	15234	Bolt	
3	16059	Flange Nut	
4	15040	Spacer	
5	15036	Spring	
6	16102	Washer	
7	16059	Flange Nut	
8	16122	Carriage Bolt	
9	15041	Capscrew	
10	15031	Jack Hole Pin Bracket	
11	15026	Adapter Body	
12	15032	Jack Hole Pin	





19100 Pivot Measuring System

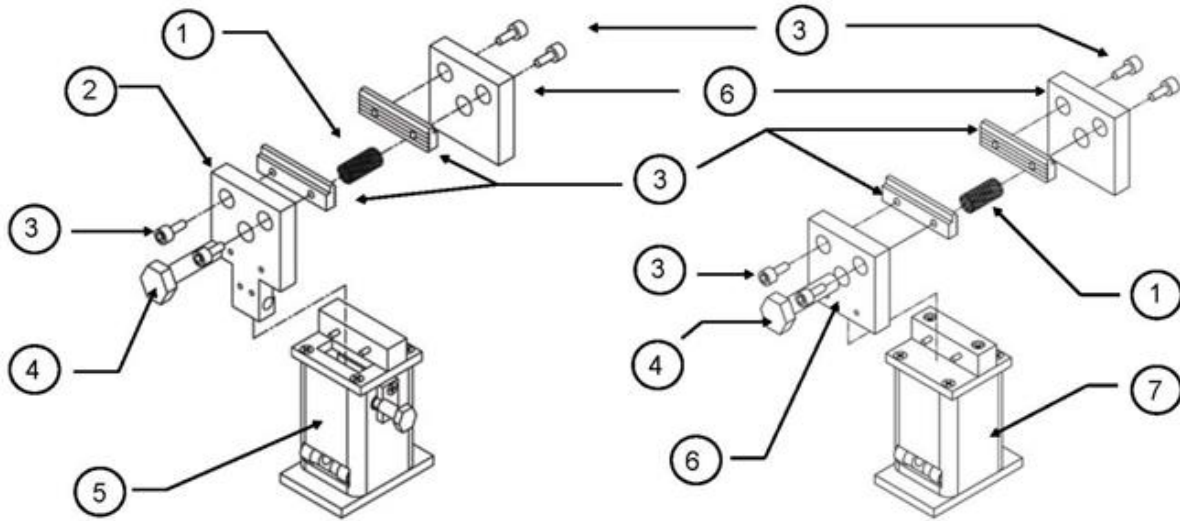
Drawing Reference	Part No.	Description	Quantity Needed
1	19120	Measuring Crossbar Assembly	
2	19050	Pivot Tube Assembly (19150-Extended)	
3	15306	Long Side Tube (outer)	
4	11026	Medium Side Tube (inner)	
	11027	Medium Side Tube (outer)	
5	15323	Short Side Tube (outer)	
	15324	Short Side Tube (inner)	
6	19019	Pin Slide Assembly	
7	15350	Wedge Bracket Assembly – Left	
	15355	Wedge Bracket Assembly – Right	
8	11031	Aluminum Wedge	
9	11032	Plastic Pin	
10	15321	(355mm) 14" Measuring Pin	
11	15322	(546mm) 21 ½" Measuring Pin	
12	11028	(685mm) 27" Measuring Pin	
13	11030	(140mm) 5 ½" Measuring Pin	
14	15320	(203mm) 8" Measuring Pin	
15	11029	(279mm) 11" Measuring Pin	
16	11056	"O" Ring	
17	19001	Tool Board	
18	15311	Pin Holder Board	





24000 Pivot Quick Mount Kit

Drawing Reference	Part No.	Description	Quantity Needed
1	15575	Spring	
2	24022	Clamp Plate	
3	14507	Black Jaw (set of 2 with screws)	
4	16087	Bolt	
5	24021	Clamp Body Adjustable	
6	24023	Clamp Jaw	
7	24041	Clamp Body Fixed	



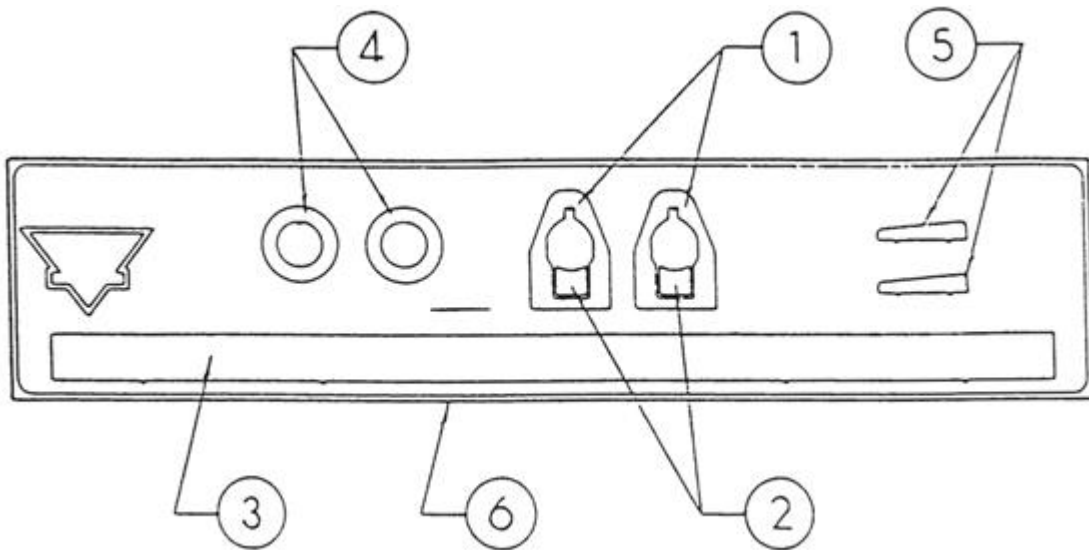
ADJUSTABLE

FIXED



15900 Down Pull Kit

Drawing Reference	Part No.	Description	Quantity Needed
1	15901	DP3 Brackets	
2	15903	DP5 Spacer	
3	15905	7/8" Heavy Wall Pipe	
4	15902	DP4 Pulley	
5	20060	Wedge	
6	15904	Down Pull Kit Board	





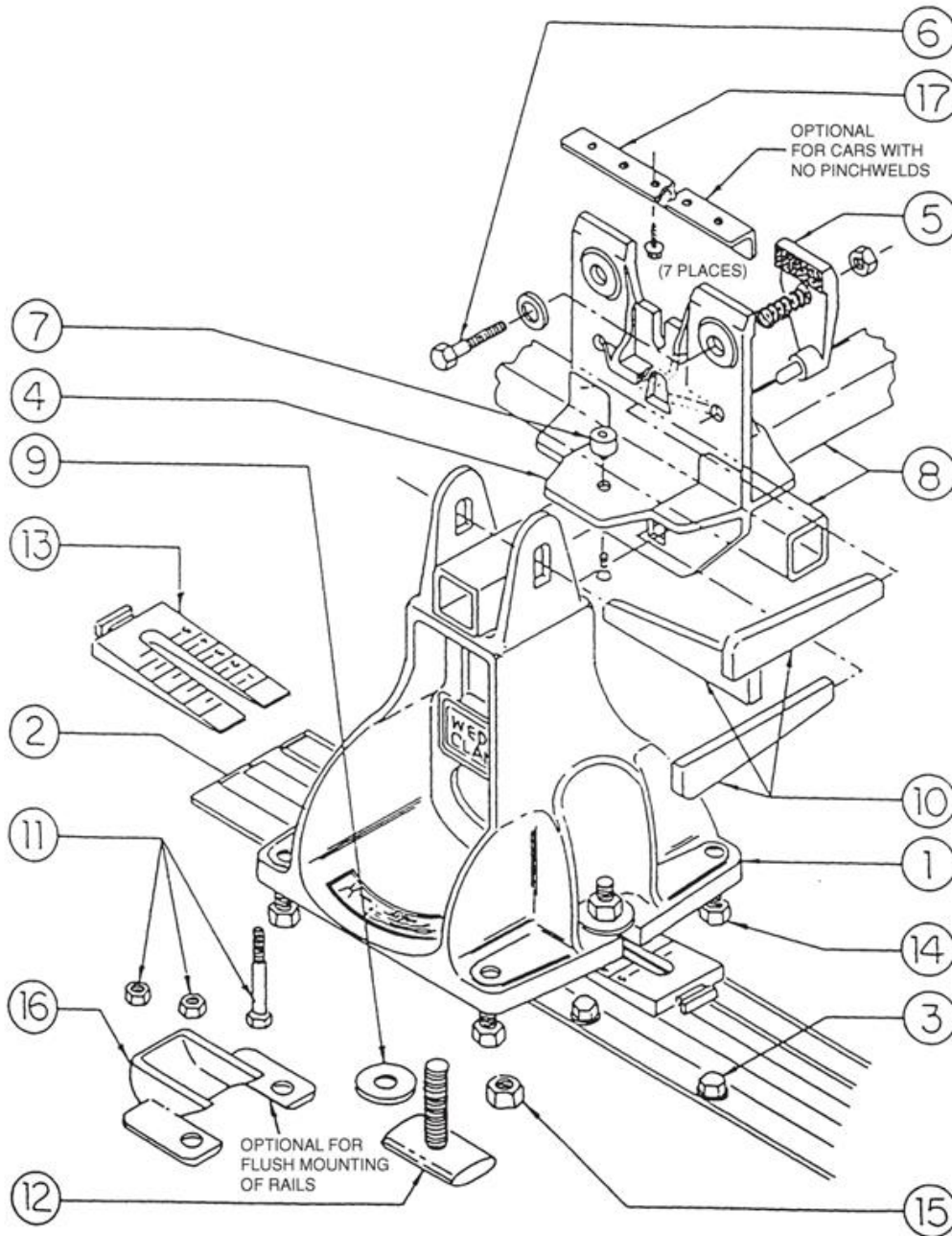
92450 Chainless Anchoring System (with no rails)

Drawing Reference	Part No.	Description	Quantity Needed
1	17603	Chainless Anchoring Stand (Hardware not included)	
2	17900	Anchoring Rail, Bevelled & Slotted	
3	17706	Anchor Bolt, Surface Mounting c/w Sleeve	
4	17704	Clamp Body (Hardware not included)	
5	17005	Jaw Plate	
6	09068	Clamp Bolt (Hardware not included)	
7	17018	Retainer Button & Screw	
	16012		
8	17103	Sidebar, Anchoring, 80"	
	17102	Crossbar, Anchoring, 72"	
	17105	Crossbar, Anchoring, 84" (Optional)	
9	16064	Washer, Flat, Rail Lock	
10	20060	Wedge, Steel	
11	16066	Anchor Bolt, Flush Mounting c/w (2)Nuts (Optional)	
	(2)16067		
12	17625	Rail Lock	
13	17605	Wedge, Chainless Rail Spacer	
14	16063	Bolt, Levelling	
15	16012	Nut, Rail Lock	
16	17902	Bevelled Rail Cleanout	
	17703	Square Rail Cleanout	
17	15100	No Pinchweld Adapter Kit (Optional)	
Not Shown	92301	Instruction Book, Anchoring System	
Not Shown	09083	Instruction Video, Anchoring System	
		ASSEMBLIES	
4,5,6,7,10	17000	Sill Clamp Set of 4 Clamps complete with Wedges	
8	17100	Anchoring Bar Set Includes: (2)17103; (2)17102	
1,9,10	17600	Chainless Anchor Stand Complete Includes:	
12,13		(1)17603; (2)17605; (2)16064; (2)16012;	
14, 15		(1)20060; (4)16063; (2)17604	
3	17704	Surface Mount Anchor Bolt Set Includes: (36)17706	
11	17707	Flush Mount Anchor Bolt Set Includes: (36)16066; (72)76067	
4,5,6,7	17060	Sill Clamp w/ Jaws & Hardware (T2 Cast Marking)	

* 92400 Includes: 4 rails and 4 set of bolts



92450 Chainless Anchoring System (with no rails)

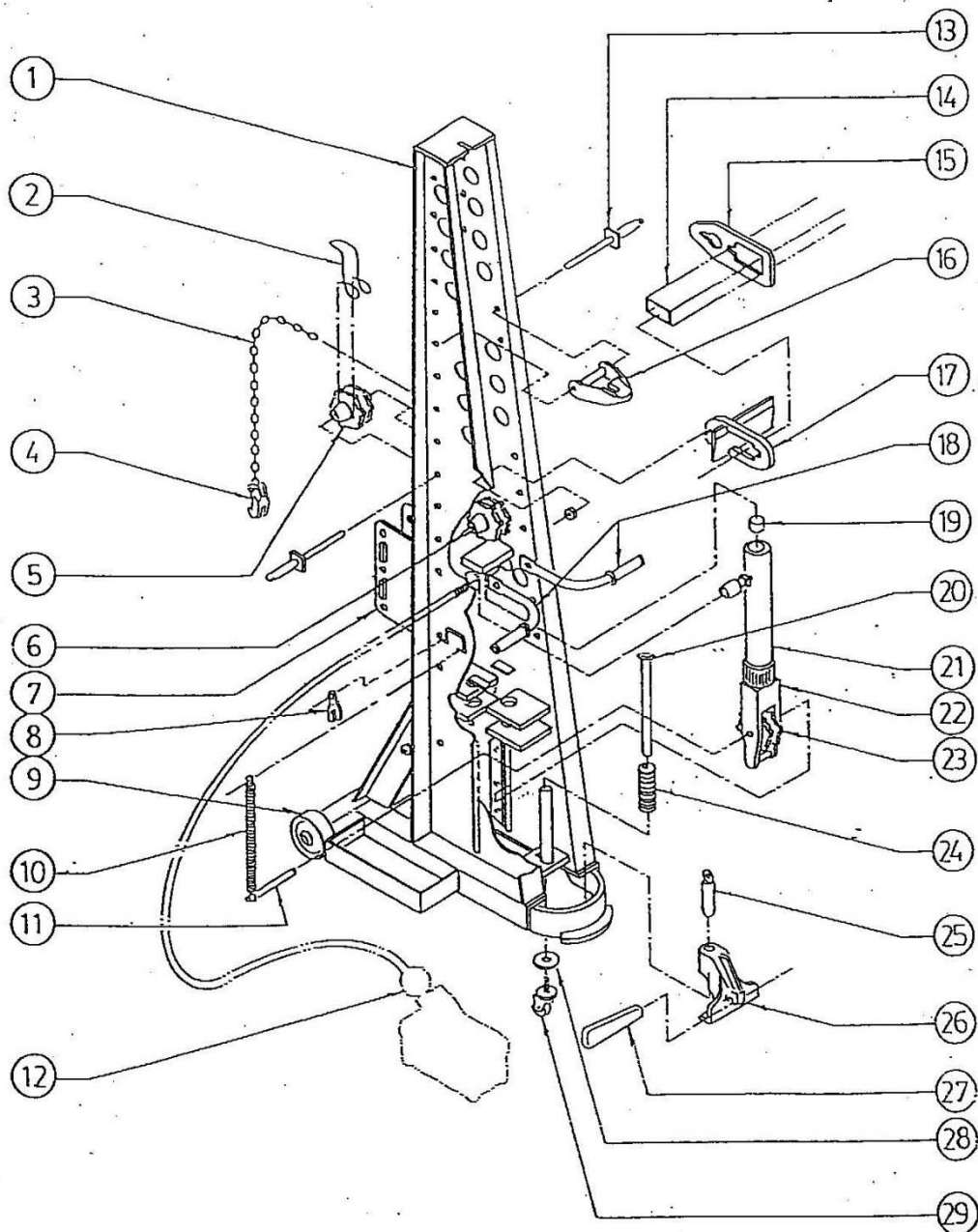




94100S Monocoque Tower

Drawing Reference	Part No.	Description	Quantity Needed
1	20015	Monocoque Tower Frame (no Hardware)	
2	20063	Spring, Anti Roll, Pulley	
3	21009	H.S. Alloy Chain, 3/8", (specify 16 ft. length)	
	20116	H.S. Alloy Chain, 5/16", (specify 16ft. length) (Optional)	
4	20104	Claw Hook, 5/16" Chain (Optional)	
	09067	Claw Hook c/w Bolt & Nut, 3/8" Chain	
Not Shown	21006	Clevis Slip Hook, 3/8" Chain	
Not Shown	21007	Clevis Grab Hook, 3/8" Chain	
5	21002	Pulley With Boss, 3/8" Chain	
	20039	Pulley with Boss, 5/16" Chain (Optional)	
6	20010	Pulley Shaft	
7	20047	Low Pull Brackets	
8	20061	Chain Lock	
9	20001	Wheel, Cast, 4"	
10	20003	Spring, Ram Return	
11	20005	Spring, Pulley Shaft	
12	20054	Hydraulic Pump	
	20053	Hydraulic Hose	
	20111	Hydraulic Tee Fitting	
	20112	Hydraulic Elbow Fitting	
	20113	Pressure Gauge	
13	20055	Pulley Pin	
14	20601	Back Brace Tube (Optional)	
15	20602	Back Brace Pull Bracket (Optional)	
16	20056	Chain Tie Back	
17	20603	Backbrace Mounting Bracket (Optional)	
18	20057	Mobility Handle Assembly	
	20101	Handle Grip	
19	20013	Ram Centering Plug	
20	20125	Caster Wheel Shaft Assembly	
21	20014	Hydraulic Ram	
22	20037	Pulley Bracket	
23	20038	Pulley – No Boss, 5/16" Chain (Optional)	
	21001	Pulley – No Boss, 3/8" Chain	
24	20008	Spring, Caster Wheel	
25	20059	Tiedown Pin	
26	20058	Rail Tiedown	
27	20060	Locking Wedge	
28	16011	Washer, Caster	
29	20009	Wheel, Caster	

Not Shown	20092	Instruction Book Monocoque Tower	
Not Shown	20500	Engine Lift Complete, 5/16" Chain	
Not Shown	21500	Engine Lift Complete, 3/8" Chain	
Not Shown	20018	Decal, Caution Force Max	
Not Shown	20019	Decal, Monocoque Tower	
Not Shown	20020	Decal, P.S.I. Max	
		ASSEMBLIES	
	20052	Assembly, Pressure Gauge includes: (1)20111, (1)20112, (1)20113	
	20045	Assembly, Pump with Hose includes: (1)20111, (1)20112, (1)20113, (1)20053,(1)20054	

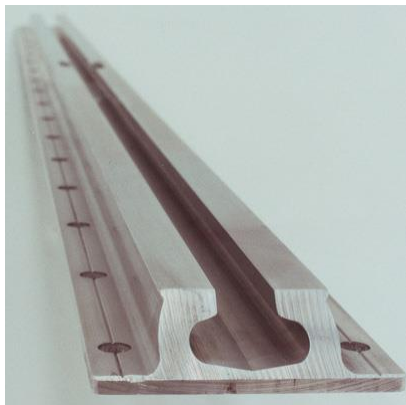




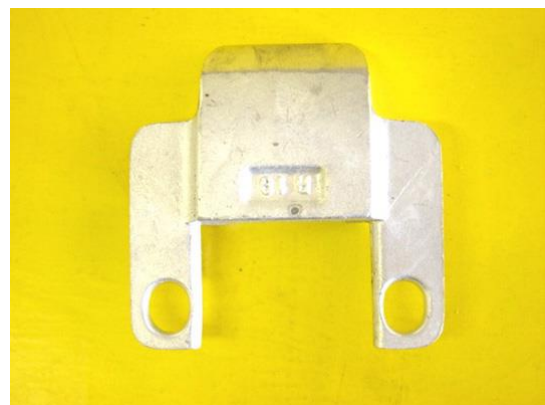
Installation Equipment

Drawing Reference	Part No.	Description	Quantity Needed
1	17700	Rails - Anchoring Rail, No Slot, No Bevel	
	17950	Rails - Anchoring Rail, 1-1/2 Slot, No Bevel	
2	17703	Square Cleanout	
3	17708	Connector	
	17707	Anchoring Bolts	

1



2



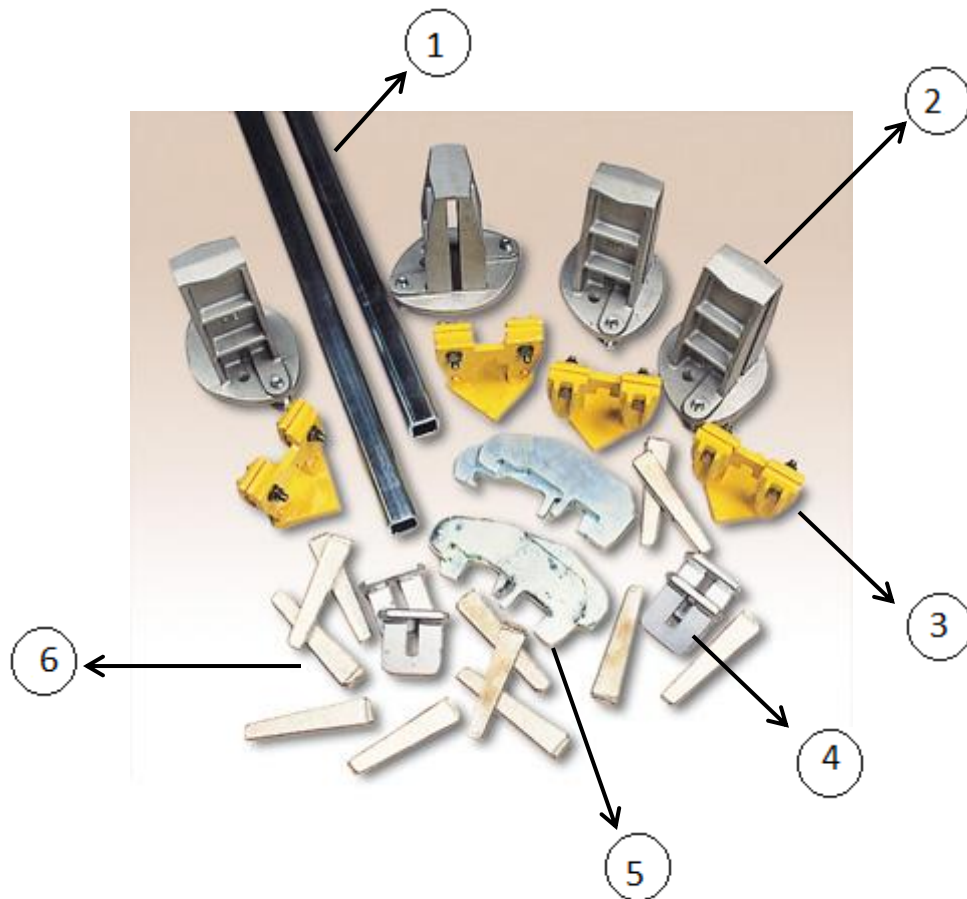
3





22100 EZE Tie Down

Drawing Reference	Part No.	Description	Quantity Needed
1	17103	Anchoring Bar, 80" Plated	
2	22049	EZE Tie Down Stand	
3	22029	EZE Tie Down Clamp w/ Accessories	
4	22040	EZE Tie Down Rail Dog	
5	22026	EZE Tie Down – Cross Bar Lock Plate	
6	20060	Wedge T3	





10020/10050 WALL RACKS

Drawing Reference	Part No.	Description	Quantity Needed
	10050	Wall Rack	



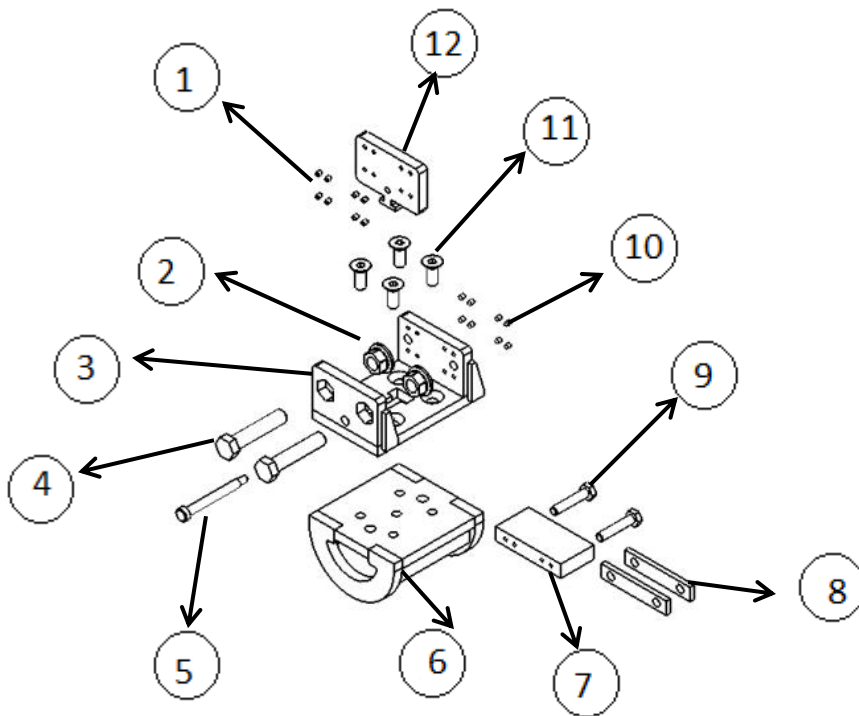
NOTE: 10020 – includes: Different types of hooks for EZE Tie Down Stands



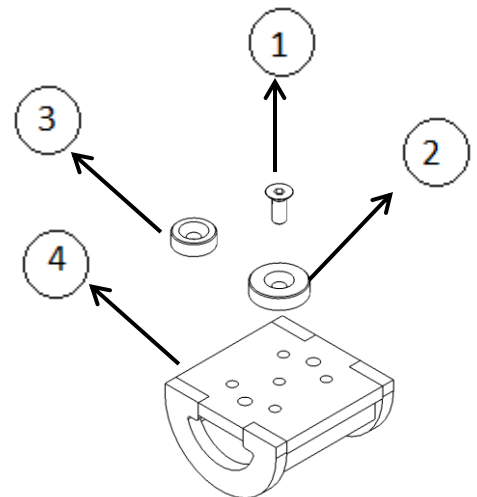
92850 FULL FRAME ANCHORING SYSTEM

Drawing Reference	Part No.	Description	Quantity Needed
		Box Frame and C-Section Adapter	
1,10	92885	Socket Setscrew	
2	92886	Nut Flange	
3	92887	Frame Clamp	
4	92883	Bolt Hex	
5	92884	Bolt Shoulder	
6	92881	Anchoring Adapter – Swivel Clamp Body	
7	92921	C Channel Adapter	
8	92930	C Channel Adapter Spacer	
9	92922	Bolt	
11	92888	Capscrew	
12	92882	Anchoring Adpater – Moving Clamp	
		Frame Hole Adapter	
1	92888	Capscrew	
2	92960	Anchoring Adapter – Hole Adapter	
3	92950	Anchoring Adapter – Frame Hole Adapter	
4	92881	Anchoring Adapter – Swivel Clamp Body	

Box Frame and C-Section Adapter

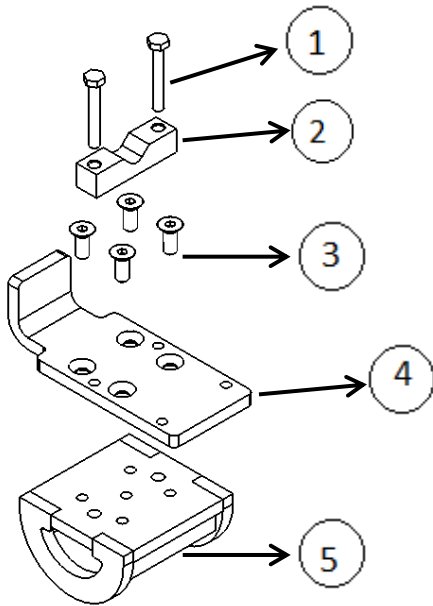


Frame Hole Adapter

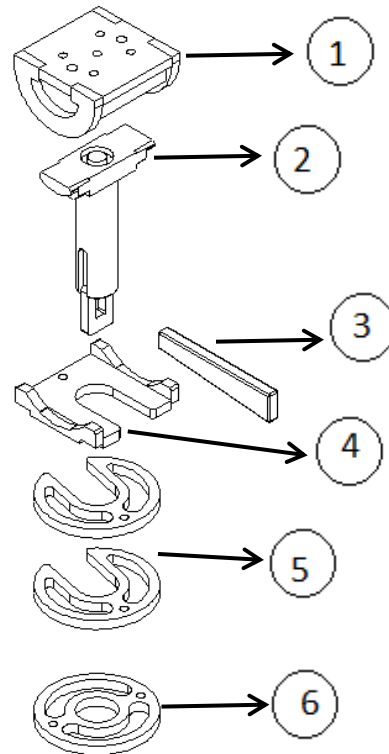


Leaf Spring and Torsion Bar Adapter		
1	92943	Bolt
2	92942	Leaf & Torsion Spring Clamp
3	92888	Capscrew
4	92941	Leaf Spring Adapter
5	92881	Anchoring Adapter – Swivel Clamp Body
Swivel Base Assembly		
1	92881	Anchoring Adapter – Swivel Clamp Body
2	92900	Pull Down Bar
3	20060	Wedge T3
4	92890	Swivel Base Plate
5	92910	“C” Spacer Round
6	92913	Full Spacer Square

Leaf Spring and Torsion Bar Adapter



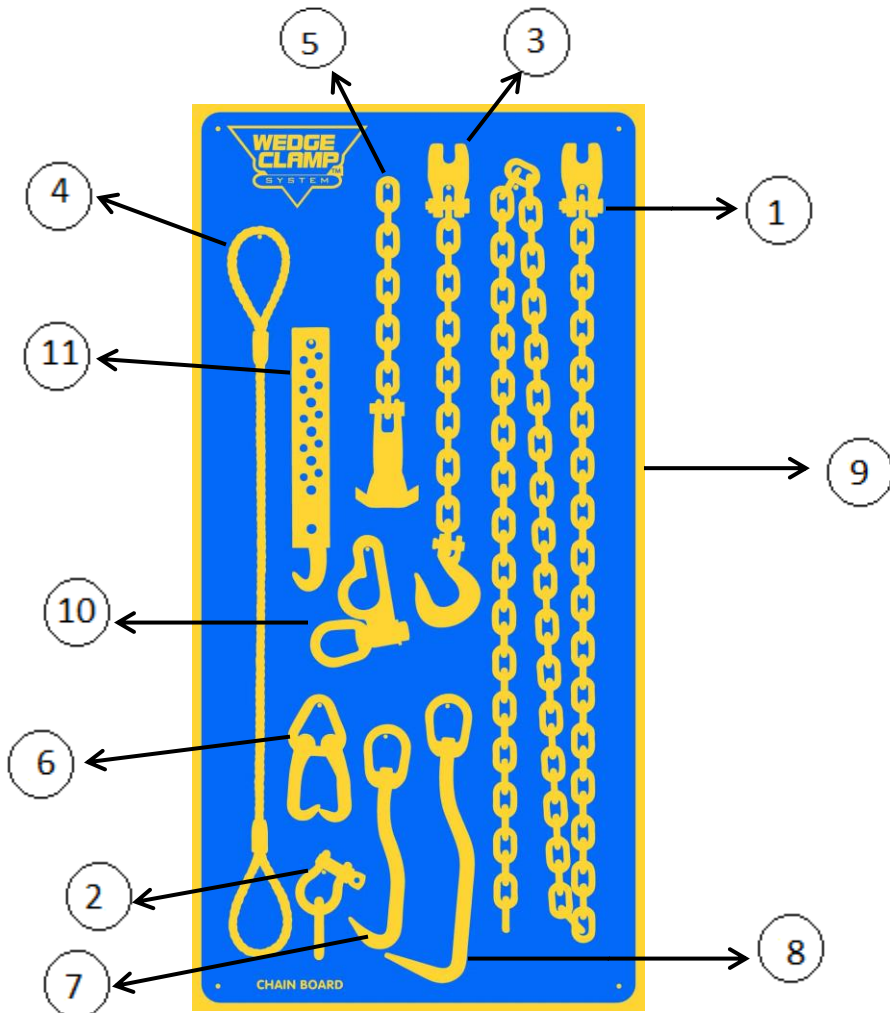
Swivel Base Assembly





95100 CHAIN BOARD

Drawing Reference	Part No.	Description	Quantity Needed
1	13058	Chain with Hook, 10' 3/8"	
2	14102	Chain Shackle	
3	14105	Claw Chain Eye Assy	
4	14108	Cable Sling	
5	14109	Frame Plug with Chain	
6	14110	Double Claw Hook	
7	14112	Large Round Hook	
8	14113	Small Round Hook	
9	14119	Tool Board, 95100	
10	18023	Any Angle Puller, 5/8"	
11	18076	Narrow Pull Bar w/Single	





95500 CLAMPING KIT

Drawing Reference	Part No.	Description	Quantity Needed
1	14404	McPherson Strut Kit	
2	14411	Nylon Sling	
3	18007	Mini Pull, with Spring	
4	18008	Reversible Mini Pull	
5	18014	Flange Hook	
6	18019	Multi Angle Pull Clamp	
7	18030	H – T Jaws, with Bar	
8	18060	Three Way Pull Clamp	
9	18065	Side Pull Bracket, with Shackle	
10	18085	Large Mouth Clamp	
11	21006	Clevis Slip Hook c/w Pin, 3/8in.	
12	14118	Tool Board 95500 – 24in. x 48in. (610 x 1220mm)	

