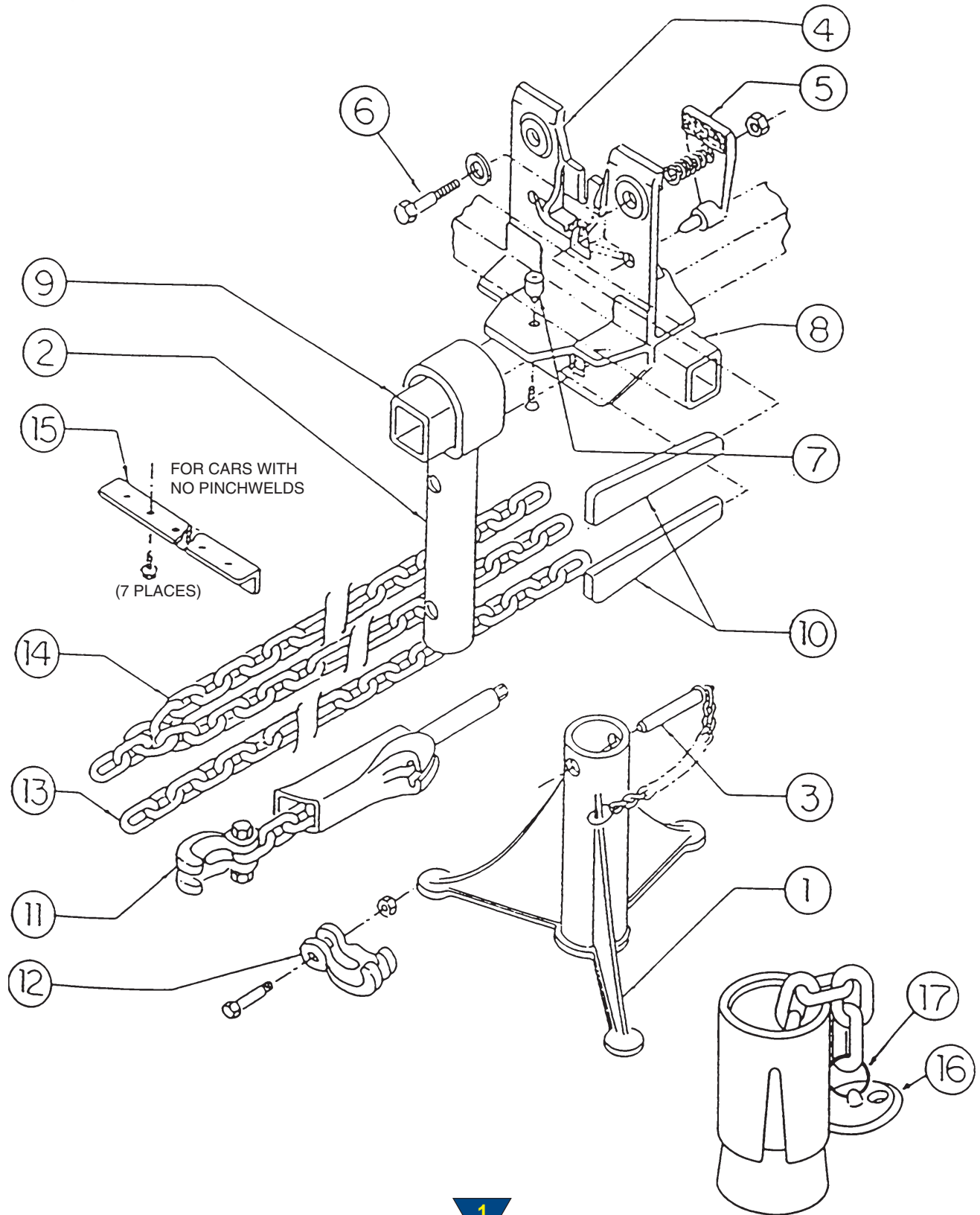




PARTS INFORMATION

	Assembly Part No.	Page
Chain Anchoring System	92300	1
Floor Anchor Pot	17302	1
Chainless Anchoring System	92400	3
Pivot Measuring System	15300	5
Length and Height Accessory	15400	7
Pivot Mounting Kit	15500	9
Eze Roller Pulling Machine	13000	11
Monocoque Tower Pulling machine	94100	13
Mobility Wheels	10200	15
Pivot Quick Mount Kit	24000	16
Mercedes Adapter Kit	15220	17
BMW/Corvette/Audi Adapter Kit	15020	18
Honda Adapter Kit	15150	19
Wide Body Adapter Kit	15000	20
Angle Pinch Weld Adapter	17013	20
Box Frame Spacer Kit	17007	21
Down Pull Kit	15900	22
Anchoring Wall Rack Assembly	10050	23
Frame Rack Adapters	93050	24
Full Frame Adapters	92850	25

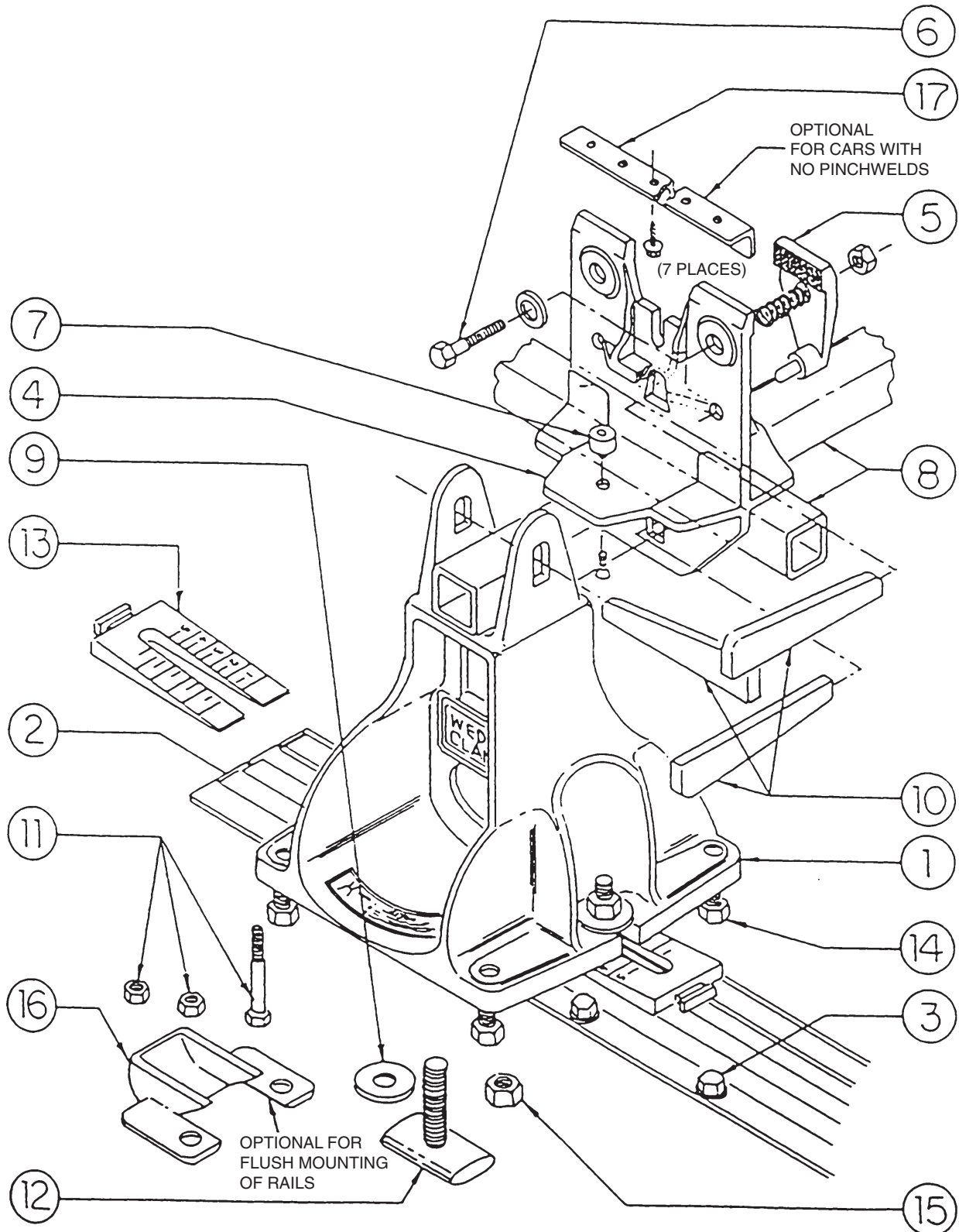
CHAIN ANCHORING SYSTEM



CHAIN ANCHORING SYSTEM

Drawing Ref.	Part No.	Description	Shipping Wt. (kg)	Shipping Wt. (lb)
	92300	CHAIN ANCHORING SYSTEM	173	381
1	17405	Chain Stand Base	3	7
2	17403	Chain Stand Extension	2	4
not shown	17401	Half Wedge	1	2
3	17411	Extension Pin	1	2
4	17004	Clamp Body (hardware not included)	5	12
5	17005	Jaw Plate	-	-
6	09068	Clamp Bolt, Spring, Nut & Washer	1	2
7	17018	Retainer Button & Screw	1	2
	16062			
8	17102	Sidebar, Anchoring, 72"	15	32
9	17101	Crossbar, Anchoring, 76"	16	35
9	17105	Crossbar, Anchoring, 84" (optional)	17	38
10	20060	Wedge, Steel	1	2
11	14305	Chain Cinch	3	7
12	09067	Claw Hook c/w Nut & Bolt	1	2
13	21009	Chain, H.S. Alloy, 3/8", (specify 5 ft. length)	3	7
14	17502	Chain Sling Assembly, 3 way	7	15
15	15100	No Pinch Weld Adapter Kit (optional)	2	5
16	17311	Cap, Floor Pot	7	15
17	17305	Ring, Floor Pot	2	5
not shown	92301	Instruction Book, Anchoring System	-	-
not shown	09083	Instruction Video, Anchoring System	-	-
		ASSEMBLIES		
4,5,6,7,10	17000	Sill Clamp Set includes four clamps complete with wedges	34	75
8,9	17100	Anchoring Bar Set includes: (2)17101; (2) 17102	61	135
11	17200	Chain Cinch Set includes: (6)14305	20	45
16,17	17300	Floor Pot Set includes: (6)17302	16	35
1,2,3	17400	Chain Stand Set includes: (4)17413	20	45
13,14	17500	Chain Anchoring Set includes: (2)5'-21009; (2)17502	20	45
1,2,3	17413	Chain Stand Complete includes: (1)17405; (1)17403; (1)17411	5	11
4,5,6,7	17060	Sill Clamp w/Jaws and Hardware (T2 Cast Marking)	7	16

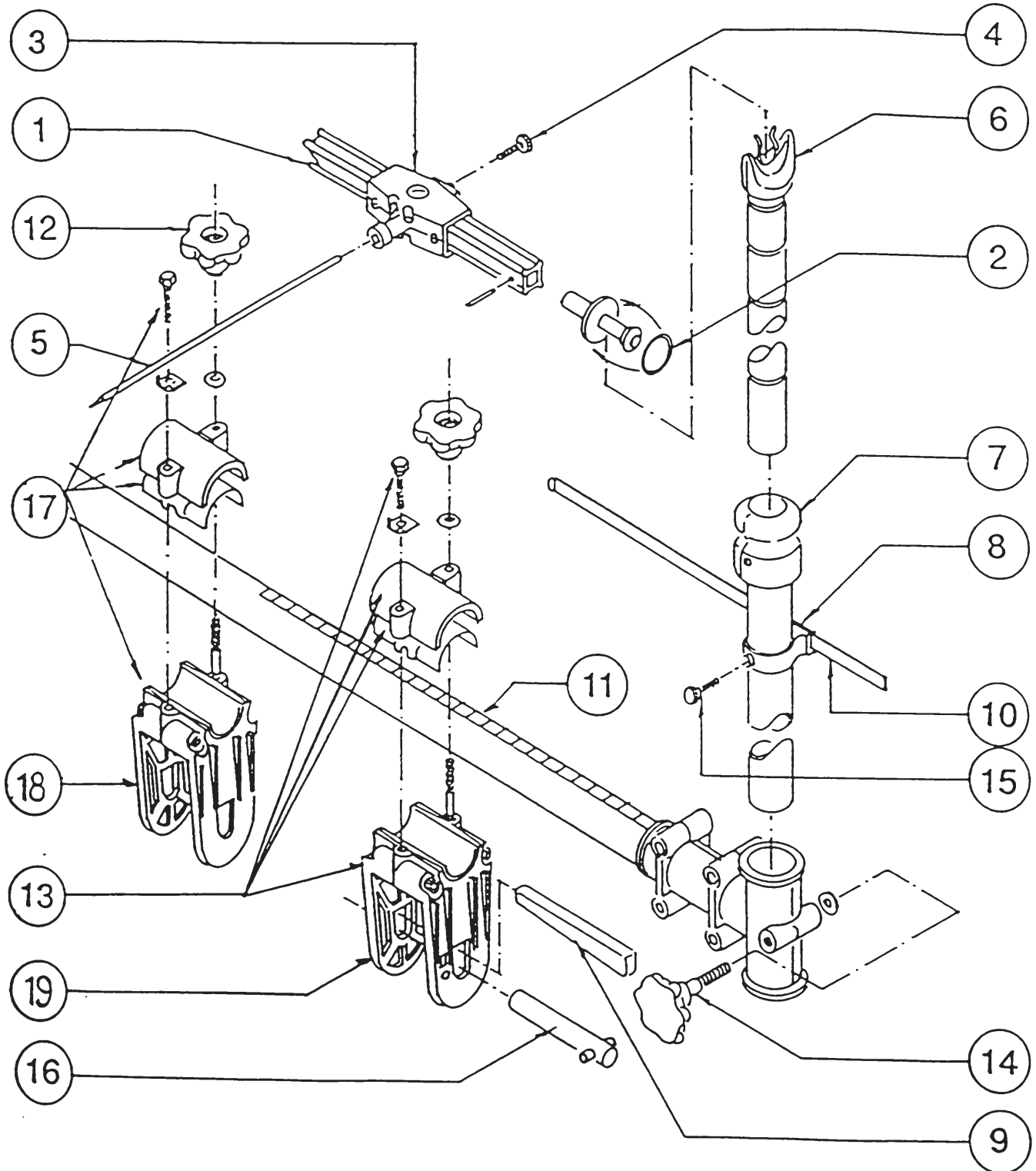
CHAINLESS ANCHORING SYSTEM



CHAINLESS ANCHORING SYSTEM

Drawing Ref.	Part No.	Description	Shipping Wt. (kg)	Shipping Wt. (lb)
	92400	CHAINLESS ANCHORING SYSTEM.....	195	429
1	17603	Chainless Anchoring Stand (hardware not included).....	10	22
2	17900	Anchoring Rail, Bevelled & Slotted.....	14	30
3	17706	Anchor Bolt, Surface Mounting c/w sleeve.....	-	-
4	17004	Clamp Body (hardware not included).....	5	12
5	17005	Jaw Plate.....	1	2
6	09068	Clamp Bolt, Spring, Nut & Washer.....	-	-
7	17018	Retainer Button & Screw.....	-	-
	16062			
8	17103	Sidebar, Anchoring, 80".....	17	37
8	17102	Crossbar, Anchoring, 72".....	16	35
8	17105	Crossbar, Anchoring, 84" (optional).....	17	38
9	16064	Washer, Flat, Rail Lock.....	-	-
10	20060	Wedge, Steel.....	1	2
11	16066	Anchor Bolt, Flush Mounting c/w (2) Nuts (optional).....	-	-
	(2)16067			
12	17625	Rail Lock.....	-	-
13	17605	Wedge, Chainless Rail Spacer.....	1	2
14	16063	Bolt, Levelling.....	-	-
15	16012	Nut, Rail Lock.....	-	-
16	17902	Bevelled Rail Cleanout.....	1	2
16	17703	Square Rail Cleanout.....	1	2
17	15100	No Pinch Weld Adapter Kit (optional).....	2	5
not shown	92301	Instruction Book, Anchoring System.....	-	-
not shown	09083	Instruction Video, Anchoring System.....	2	5
		ASSEMBLIES		
4,5,6,7,10	17000	Sill Clamp Set of four clamps complete with wedges.....	34	75
8	17100	Anchoring Bar Set includes: (2)17103; (2)17102.....	61	135
1,9,10	17600	Chainless Anchor Stand Complete includes:.....	14	30
12,13		(1)17603; (2)17605; (2)16064; (2)16012;		
14,15		(1)20060; (4)16063; (2)17604		
3	17704	Surface Mount Anchor Bolt Set includes: (36)17706.....	7	15
11	17707	Flush Mount Anchor Bolt Set includes: (36)16066 (72)16067.....	7	15
4,5,6,7	17060	Sill Clamp w/ Jaws and Hardware (T2 Cast Marking).....	7	15

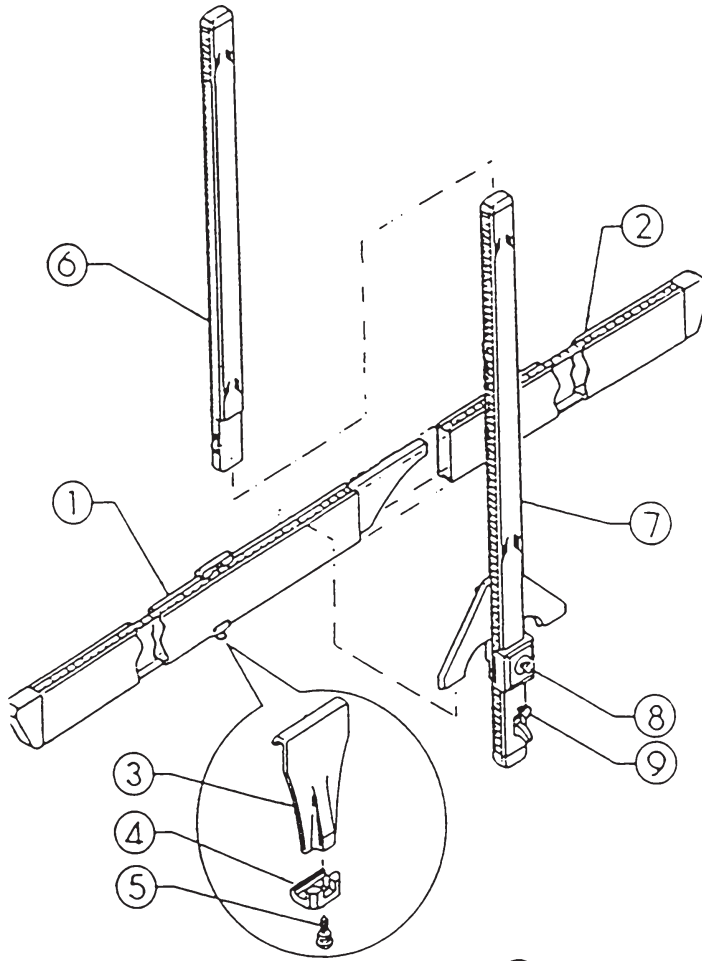
PIVOT MEASURING SYSTEM



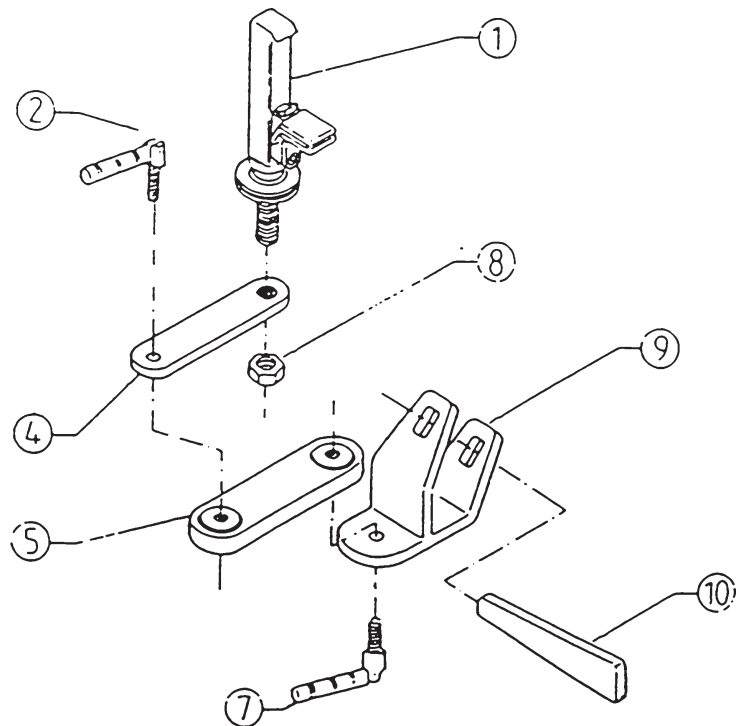
PIVOT MEASURING SYSTEM

Drawing Ref.	Part No.	Description	Shipping Wt. (kg)	Shipping Wt. (lb)
	15300	PIVOT MEASURING SYSTEM	27	59
1	15308	Measuring Cross Bar Assembly includes: (2)11056; (3)11015	2	5
2	11056	O-Ring, Urethane	-	-
3	11015	Slide, Measuring Pin	-	-
4, 15	16031	Thumbscrew	-	-
5	11028	Measuring Pin, 27"	-	-
5	11029	Measuring Pin, 11"	-	-
5	11030	Measuring Pin, 5-1/2"	-	-
5	15320	Measuring Pin, 8"	-	-
5	15321	Measuring Pin, 14"	-	-
5	15322	Measuring Pin, 21-1/2"	-	-
6	11026	Assembly, Tube, Inside, Telescoping, Color Coded, 37-1/2"	1	2
6	15324	Assembly, Tube, Inside, Telescoping, Color Coded, 19-7/16"	-	-
7	15306	Assembly, Tube, Outside, 59-1/8"	-	-
7	15323	Assembly, Tube, Outside, 19-11/16"	-	-
7	11027	Assembly, Tube, Outside, 37-1/2"	1	2
8	11079	Retainer Plate, Metric Rule	-	-
8	11080	Collar Slide	-	-
9	11031	Wedge, Aluminum	-	-
10	11083	Metric Rule	-	-
11	15307	Pivot Tube Assembly	9	20
12	11022	Hand Knob with nut	-	-
	15326			
17	15325	Pivot Wedge Bracket Complete, Left includes: (1)15350, (1)11020	9	20
		(2)11021, (1)11022, (1)16025, (1)16026, (1)16027		
13	15335	Pivot Wedge Bracket Complete, Left includes: (1)15355, (1)11020	9	20
		(2)11021, (1)11022, (1)16025, (1)16026, (1)16027		
18	15350	Assy. Wedge Bracket, Left	2	5
19	15355	Assy. Wedge Bracket, Right	2	5
13	11021	Bushing, Plastic	-	-
13	16025	Capscrew, 3/8" x 1-1/4"	-	-
13	16026	Washer, Square	-	-
13	16027	Washer, Flat	-	-
13	11020	Cap, Pivot Wedge Bracket	-	-
14	11022	Hand Knob with capscrew	-	-
	11078			
16	11032	Wedge, Plastic	-	-
5	11036	Tip, Ribber	-	-
not shown	15311	Pin Holder Board	1	3
not shown	15304	Instruction Book, Pivot Measuring System	-	-
not shown	15313	Instruction Video, Pivot Measuring System	-	-

LENGTH AND HEIGHT ACCESSORY



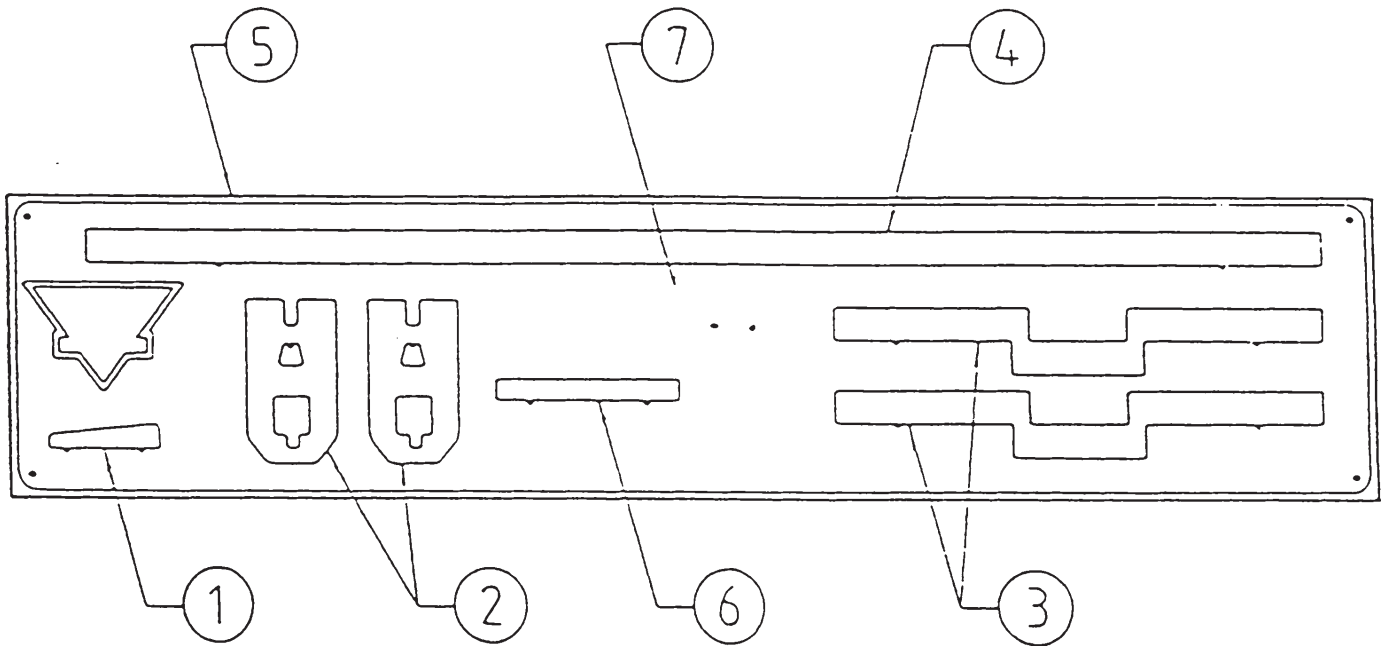
LENGTH BAR MOUNT ASSEMBLY



LENGTH & HEIGHT ACCESSORY

Drawing Ref.	Part No.	Description	Shipping Wt. (kg)	Shipping Wt. (lb)
	15400	LENGTH & HEIGHT ACCESSORY	27	59
1,2	*15406	Length Bar Assembly, Male and Female	4	8
	*15407	*must be ordered as a matched pair	-	-
3,4,5	15478	Assembly, Marker includes: (1)15479, (1)15480, (1)16031	-	-
3	15479	Body, Marker	-	-
4	15480	Cap, Marker	-	-
5	16031	Thumbscrew 1/4" x 1/2" NC	-	-
6	15405	Height Bar Extension	1	2
7	15404	Height Bar Assembly	1	3
8	16031	Thumbscrew, 1/4" x 1/2" NC	-	-
9	15418	Thumbscrew, 3/8" x 1-1/2" NC	-	-
not shown	20026	Decal, Large Arrow	-	-
not shown	20027	Decal, Wedge Clamp	-	-
not shown	20028	Decal, Pivot Measuring System	-	-
not shown	20029	Decal, Small Arrow	-	-
not shown	15402	Instructions, Length and Height Accessory	-	-
not shown	15399	Instruction Video Length & Height Accessory	-	-
		LENGTH BAR MOUNT ASSEMBLY		
1	15437	Bar Holder Assembly	1	3
2,7	15487	Swing Bolt Assembly	-	-
4	15435	Mount Arm Extension	1	2
5	15433	Mount Arm	1	2
8	16016	Nut, Jamb	-	-
9	15431	Wedge, Bracket, Mounting	1	3
10	20060	Wedge, Steel	1	2

PIVOT MOUNTING KIT

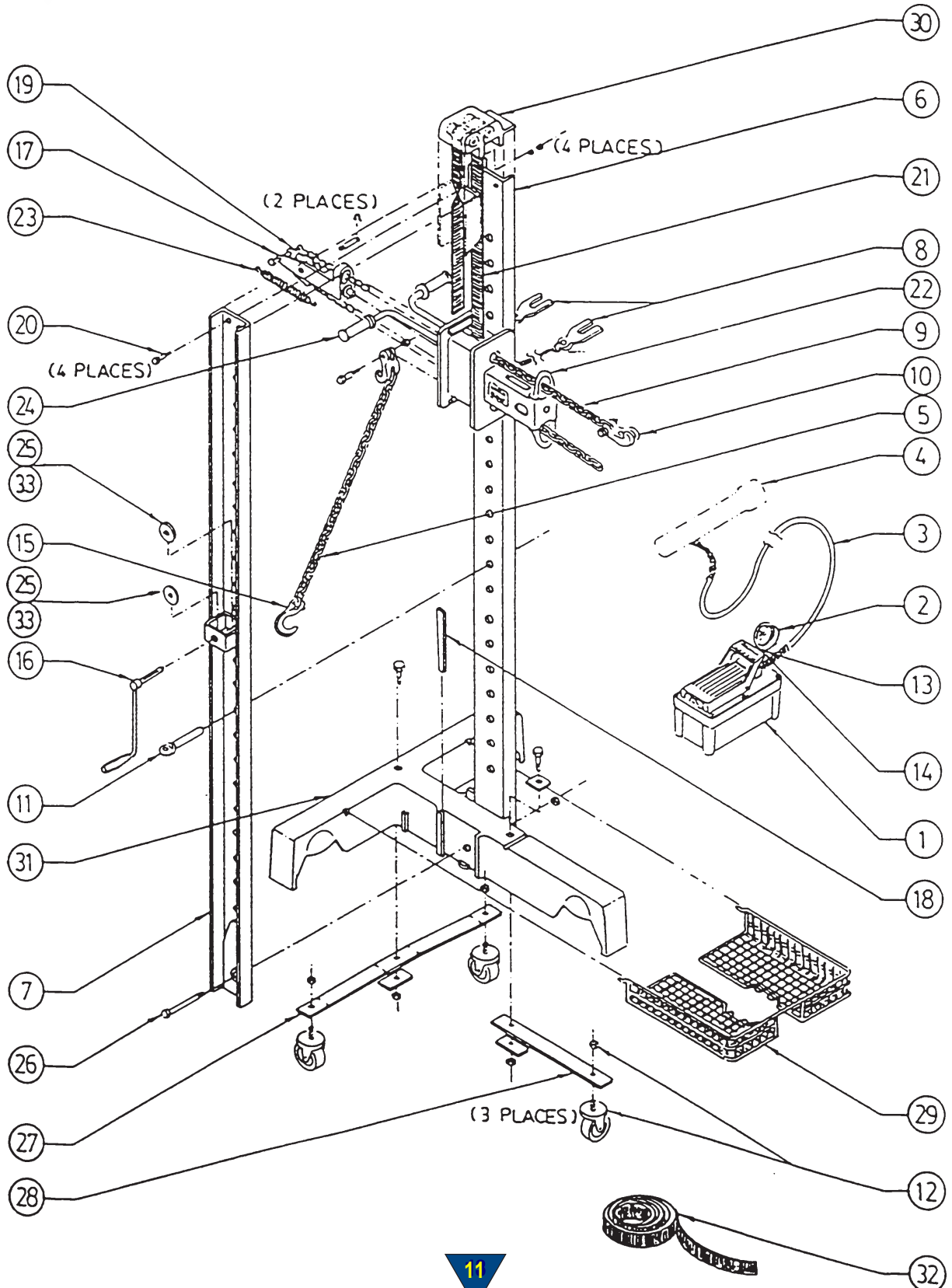




PIVOT MOUNTING KIT

Drawing Ref.	Part No.	Description	Shipping Wt. (kg)	Shipping Wt. (lb)
	15500	PIVOT MOUNTING KIT.....	50	110
1	20060	Wedge, Steel.....	1	2
2	17052	Clamp Body Jr. (hardware not included).....	7	15
2	09068	Clamp Body, Nut, Spring & Washer.....	-	-
2	17018	Retainer Button & Screw.....	-	-
	16062			
2	17020	Jaw Plate.....	1	2
4	17103	Crossbar, Anchoring, 80".....	17	37
5	15501	Tool Board, Pivot Mounting Kit (no hardware).....	5	10
6	15102	No Pinchweld Bracket (angle bar only).....	2	4
6	16053	Screw, Sheet Metal.....	-	-
3	15507	Mounting Bar, Offset.....	7	16
	15506	Instruction Book, Pivot Mounting Kit.....	-	-
7		Mounting location for bench mounting brackets (optional)		

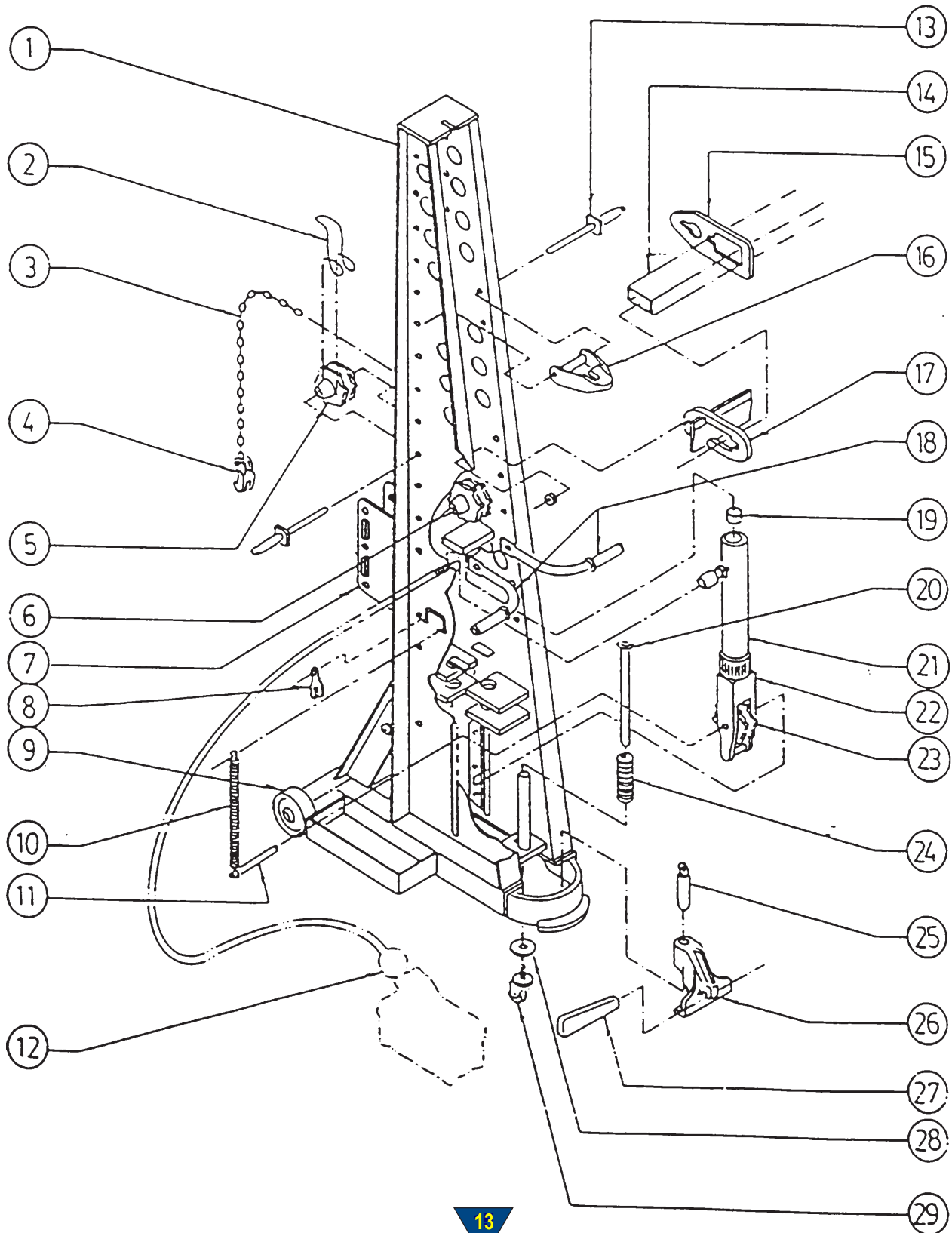
EZE ROLLER PULLING MACHINE



EZE ROLLER PULLING MACHINE

Drawing Ref.	Part No.	Description	Shipping Wt. (kg)	Shipping Wt. (lb)
	13000	EZE-ROLLER PULLING MACHINE	141	310
1	20054	Hydraulic Pump	7	15
2	20113	Pressure Gauge	1	3
3	20053	Hose, Hydraulic Pump	1	2
4	20014	Hydraulic Ram 10 Ton	7	15
5	21009	Chain, H.S. Alloy, 3/8", (specify 8 ft. length)	5	11
6	13011	Channel, 7 ft. Left	18	39
7	13012	Channel, 7 ft. Right	18	39
8	20061	Chain Lock	1	2
9	21009	Chain, H.S. Alloy, 3/8", (specify 10 ft. length)	6	14
10	09067	Claw Hook c/w Bolt & Nut, 3/8" Chain	1	2
11	20055	Pulley Pin	-	-
12	13018	Wheel, Caster	1	3
13	20112	Fitting, Hydraulic Elbow	-	-
14	20111	Fitting, Hydraulic Tee	-	-
15	21007	Clevis Grab Hook, 3/8" chain	1	3
16	13038	Assembly, Handle, Crank	1	3
17	13044	Bracket, Pulley	2	5
18	13032	Wedge, Channel Locking	-	-
19	21001	Pulley, No Boss, 3/8" Chain	-	-
20	16025	Capscrew, 3/8" x 1-1/4"	-	-
20	16009	Nut	-	-
21	13034	Belt, 10 ft	2	4
22	13036	Carriage, Ram	2	3.5
23	20003	Spring, Return	-	-
24	20101	Handle Grip	1	2
25	16036	Washer, Handle, Crank	-	-
26	16013	Capscrew, Mounting, Channel	-	-
26	16012	Nut, Rail Lock	-	-
27	13014	Spring, Leaf, Rear	-	-
28	13016	Spring, Leaf, Front	-	-
29	13021	Basket, Chain	2	5
30	13050	Cap, Aluminum	-	-
31	13013	Base, Eze Roller	36	80
32	13027	Safety Strap	-	-
33	13007	Ring Bearing	-	-
	13059	Decal, Always use Safety Strap	-	-
	13015	Instruction Book, Eze Roller	-	-
		ASSEMBLIES		
2,13,14	20052	Assembly, Pressure Gauge includes: (1)20111; (1)20112; (1)20113 . . .	1	3
1,2,3 13,14	20045	Assembly, Hydraulic Pump with hose includes:	9	20
		(1)20111; (1)20112; (1)20113; (1)20053; (1)20054		
	13001	Eze Roller Base Assy. includes: 13013, 13014, 13016, (3)13018, 13021	48	105
	13002	Eze Roller Channel Assembly includes: 13011, 13012	36	80

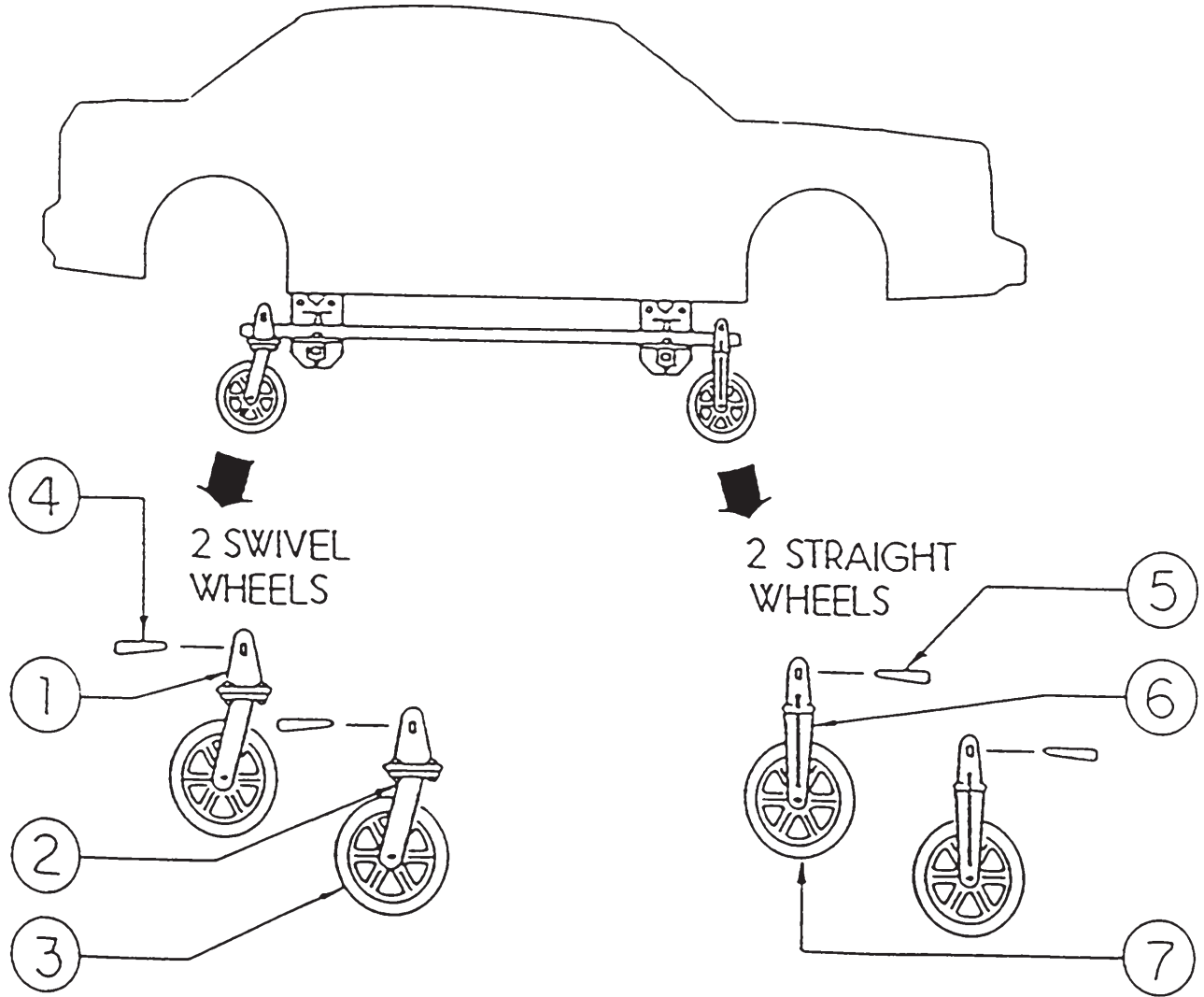
MONOCOQUE TOWER



MONOCOQUE TOWER

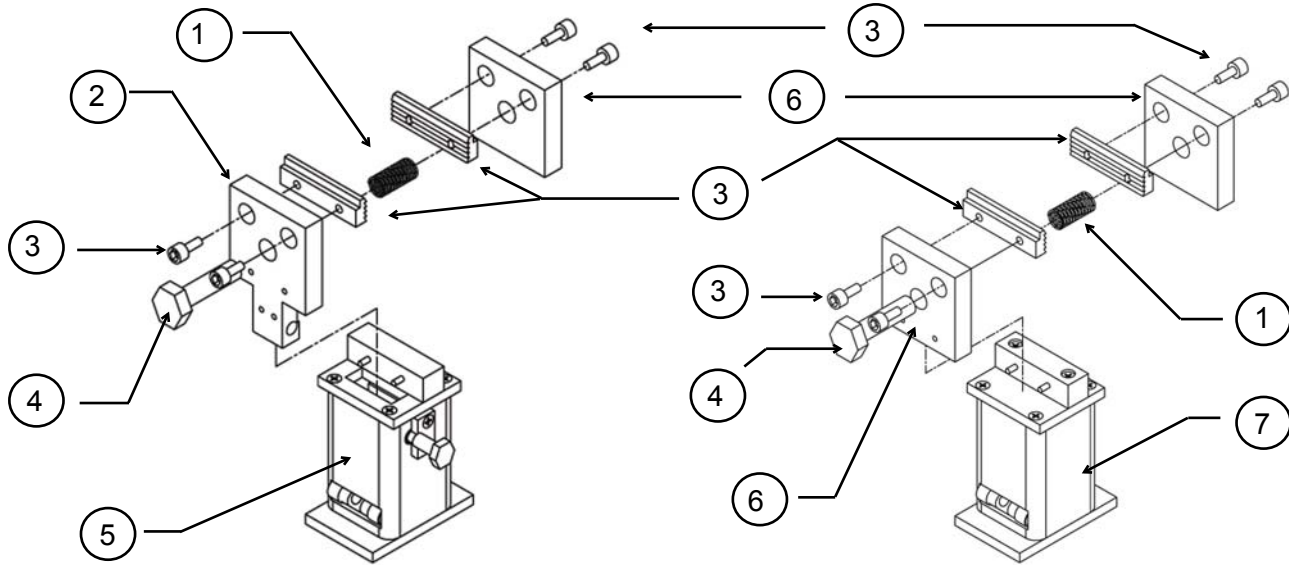
Drawing Ref.	Part No.	Description	Shipping Wt. (kg)	Shipping Wt. (lb)
	94100	MONOCOQUE TOWER	141	310
1	20015	Monocoque Tower Frame (no hardware)	76	168
2	20063	Spring, Anti Roll, Pulley	-	-
3	21009	H.S. Alloy Chain, 3/8", (specify 16 ft. length)	10	21.6
3	20116	H.S. Alloy Chain, 5/16", (specify 16 ft. length) (optional)	6	14
4	20104	Claw Hook, 5/16" Chain (optional)	1	2
4	09067	Claw Hook c/w Bolt & Nut, 3/8" Chain	-	-
not shown	21006	Clevis Slip Hook, 3/8" Chain	1	2
not shown	21007	Clevis Grab Hook, 3/8" Chain	1	2
5	21002	Pulley with Boss, 3/8" Chain	-	-
5	20039	Pulley with Boss, 5/16" Chain (optional)	-	-
6	20010	Pulley Shaft	1	3
7	20047	Low Pull Brackets	3	6
8	20061	Chain Lock	1	2
9	20001	Wheel, Cast, 4"	1	2
10	20003	Spring, Ram Return	-	-
11	20005	Spring, Pulley Shaft	-	-
12	20054	Hydraulic Pump	7	15
12	20053	Hydraulic Hose	-	-
12	20111	Hydraulic Tee Fitting	1	2
12	20112	Hydraulic Elbow Fitting	1	2
12	20113	Pressure Gauge	-	-
13	20055	Pulley Pin	-	-
14	20601	Back Brace Tube (optional)	1	2
15	20602	Back Brace Pull Bracket (optional)	1	3
16	20056	Chain Tie Back	1	2
17	20603	Backbrace Mounting Bracket (optional)	1	2
18	20057	Mobility Handle Assembly	1	2
18	20101	Handle Grip	1	2
19	20013	Ram Centering Plug	-	-
20	20125	Caster Wheel Shaft Assembly	1	2
21	20014	Hydraulic Ram	7	15
22	20037	Pulley Bracket	2	4
23	20038	Pulley - No Boss, 5/16" Chain (optional)	1	2
23	21001	Pulley - No Boss, 3/8" Chain	1	3
24	20008	Spring, Caster Wheel	-	-
25	20059	Tiedown Pin	-	-
26	20058	Rail Tiedown	4	8
27	20060	Locking Wedge	-	-
28	16011	Washer, Caster	1	2
29	20009	Wheel, Caster	1	2
	20092	Instruction Book Monocoque Tower	-	-
not shown	20500	Engine Lift Complete, 5/16" Chain	15	34
not shown	21500	Engine Lift Complete, 3/8" Chain	15	34
	20018	Decal, Caution Force Max.	-	-
	20019	Decal, Monocoque Tower	-	-
	20020	Decal, P.S.I. Max.	-	-
		ASSEMBLIES		
	20052	Assembly, Pressure Gauge includes: (1)20111, (1)20112, (1)20113 ...	1	3
	20045	Assembly, Pump with Hose includes: (1)20111, (1)20112, (1)20113 ... (1)20053, (1)20054	9	20

10200 MOBILITY WHEELS



Drawing Ref.	Part No.	Description
	10200	MOBILITY WHEELS
4,5	20060	Wedge
1	10205	W36 Bracket
2	10211	Swivel Fork Bracket
7,3	10203	Wheel 8"
6	10204	Straight Bracket

24000 PIVOT QUICK MOUNT KIT



ADJUSTABLE

FIXED

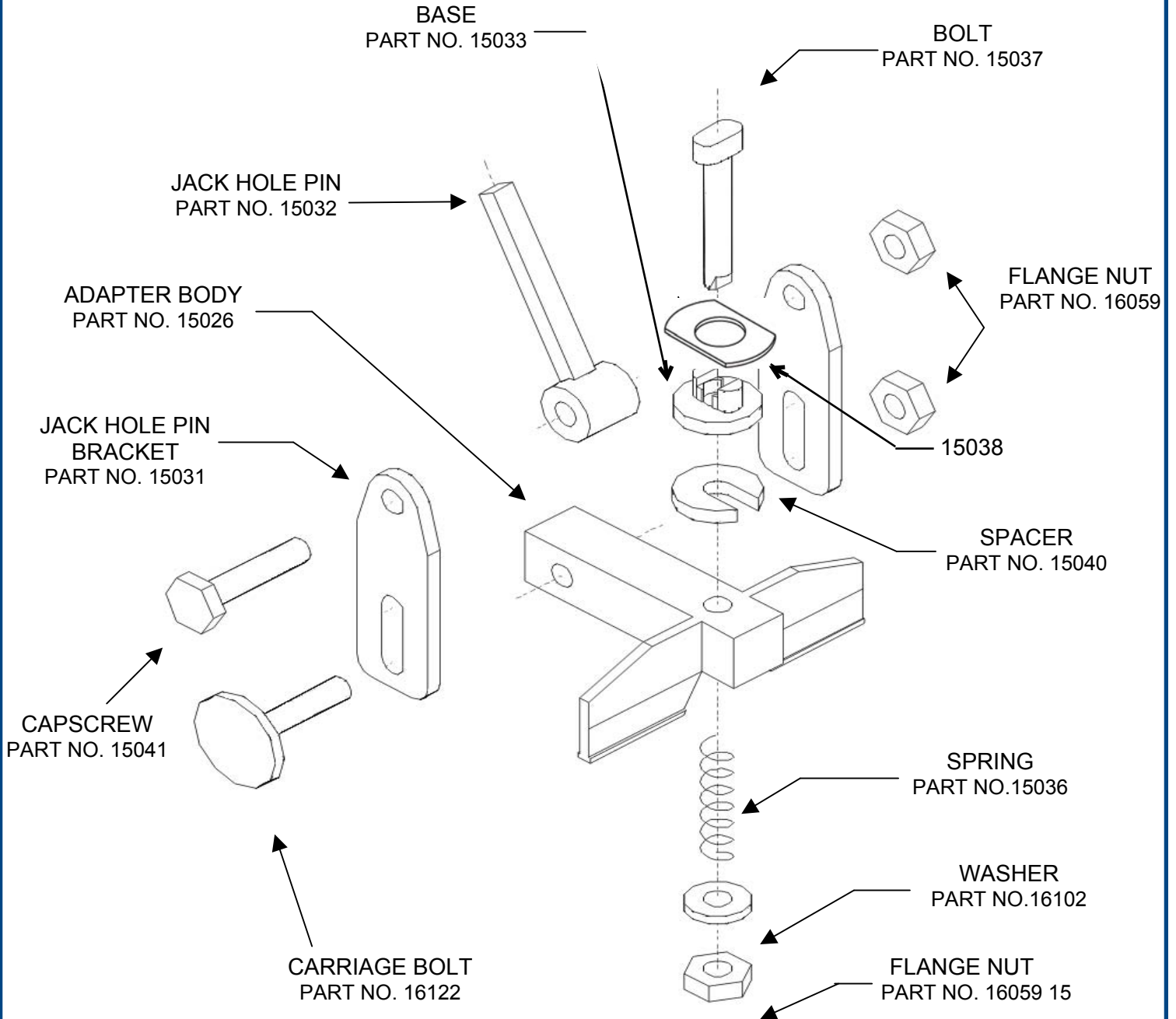
Drawing Ref.	Part No.	Description
	24000	PIVOT QUICK MOOUNT KIT
1	15575	Spring
2	24022	Clamp Plate
3	14507	Black Jaw (set of 2 with screws)
4	16087	Bolt
5	24021	Clamp Body Adjustable
6	24023	Clamp Jaw
7	24041	Clamp Body Fixed



PARTS INFORMATION

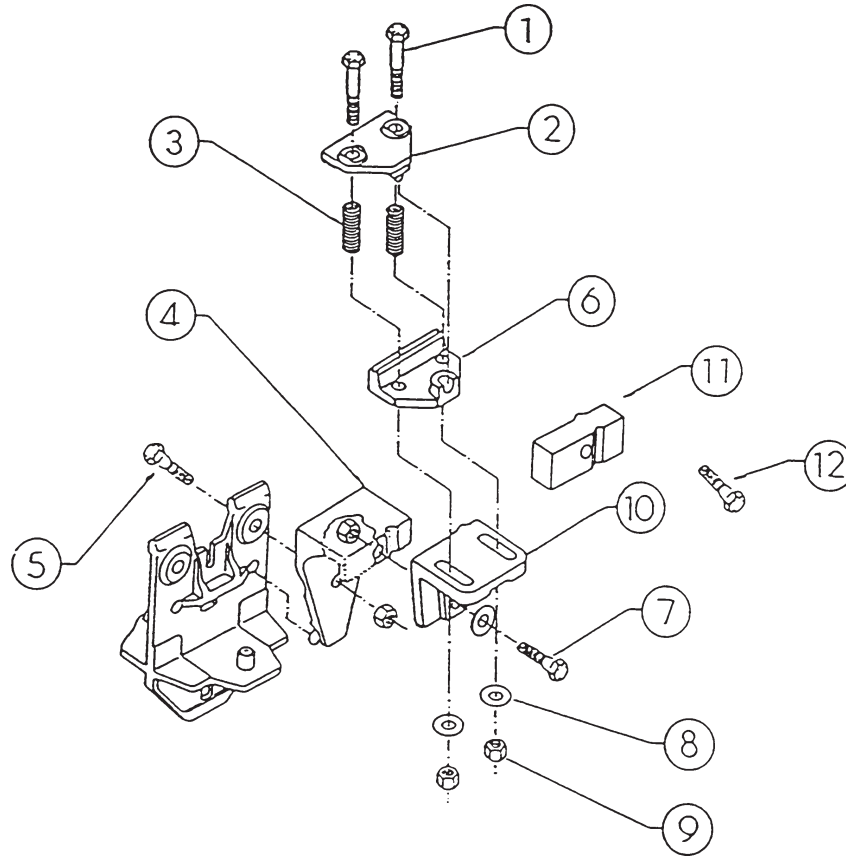
	Assembly Part No.	Page
Chain Anchoring System	92300	1
Floor Anchor Pot	17302	1
Chainless Anchoring System	92400	3
Pivot Measuring System	15300	5
Length and Height Accessory	15400	7
Pivot Mounting Kit	15500	9
Eze Roller Pulling Machine	13000	11
Monocoque Tower Pulling machine	94100	13
Mobility Wheels	10200	15
Pivot Quick Mount Kit	24000	16
Mercedes Adapter Kit	15220	17
BMW/Corvette/Audi Adapter Kit	15020	18
Honda Adapter Kit	15150	19
Wide Body Adapter Kit	15000	20
Angle Pinch Weld Adapter	17013	20
Box Frame Spacer Kit	17007	21
Down Pull Kit	15900	22
Anchoring Wall Rack Assembly	10050	23
Frame Rack Adapters	93050	24
Full Frame Adapters	92850	26

15020 BMW/Corvette/Audi ADAPTER KIT



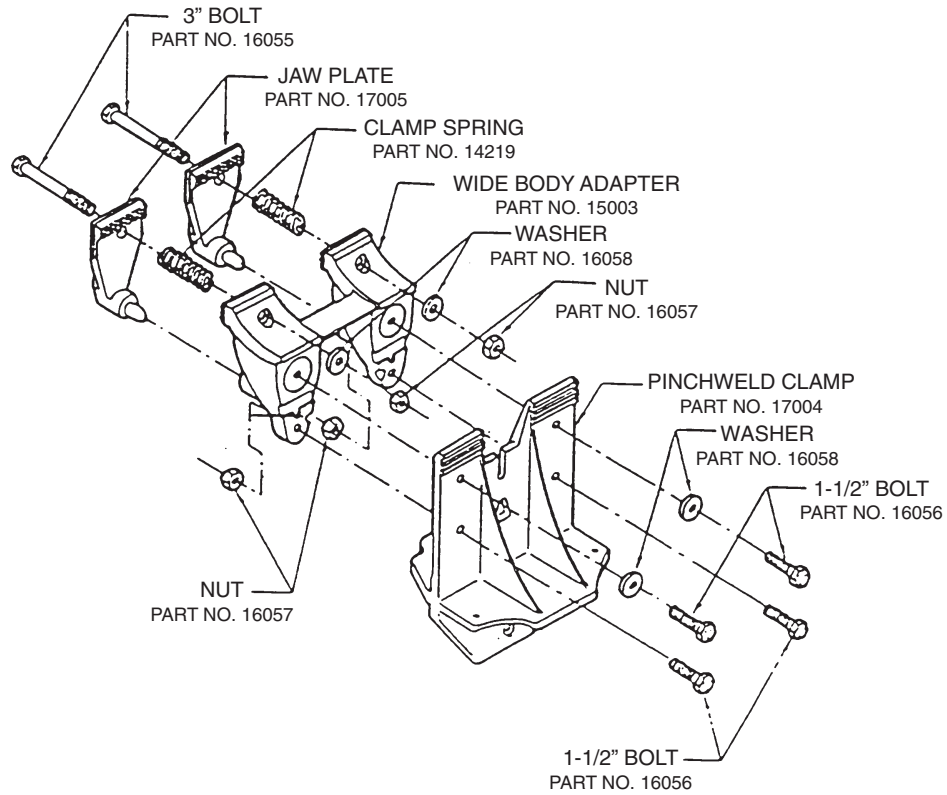
15150 HONDA ADAPTER KIT

(4 per kit)

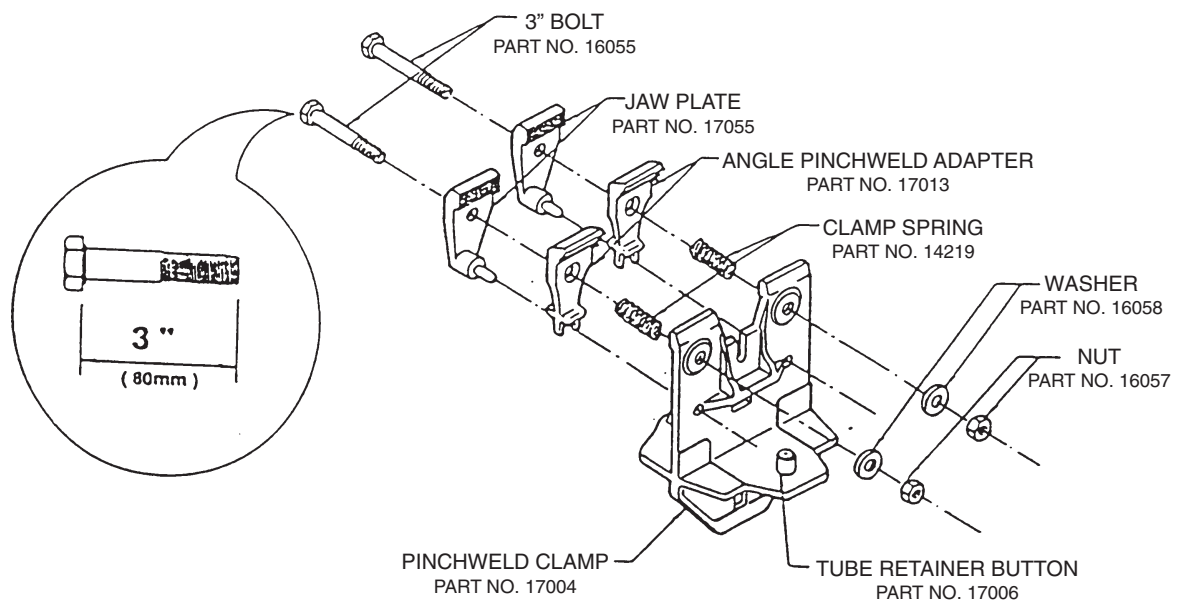


Drawing Ref.	Part No.	No. Req'd	Description
1	16055	2	1/2" x 3" Capscrew NF PLGR8
2	15154	1	Q73 Pad PL/Z
3	14219	2	Clamp Spring
4	15155	1	HA90 Honda Bracket PL/Z
5	16056	1	1/2" x 1-1/2" Capscrew NF PLGR8
6	15158	1	HA93 Lower Jaw PL/Z
7	16087	1	1/2" x 1-3/4" capscrew NF PLGR8
8	16058	3	1/2" Metalloy Flat Washer
9	16057	4	1/2" Nut NF PLGR2
10	15159	1	HA94 Adjusting bracket PL/Z
11	15161	1	Honda Kit Spacer
12	16092	1	1/2" x 2-3/4" Capscrew NF PLGR8

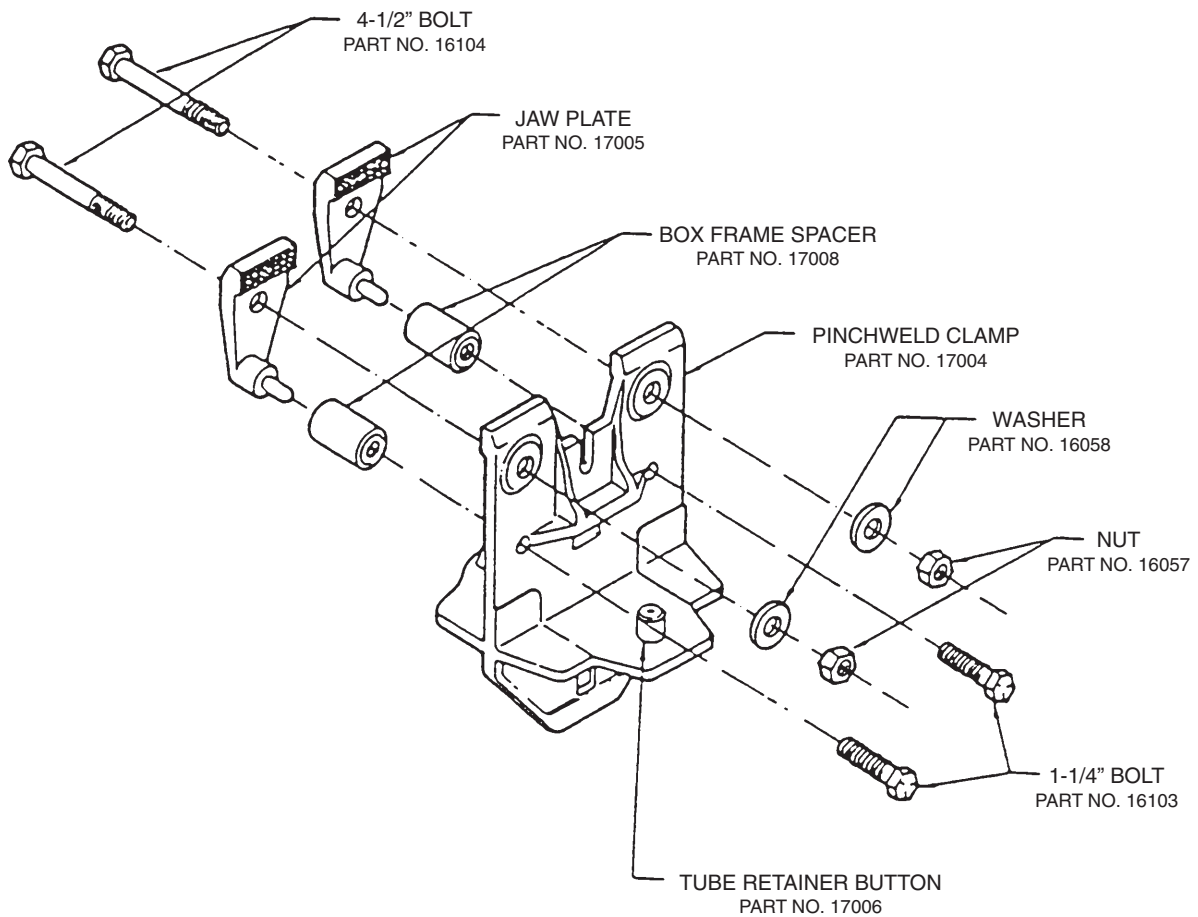
15000 WIDE BODY ADAPTER KIT



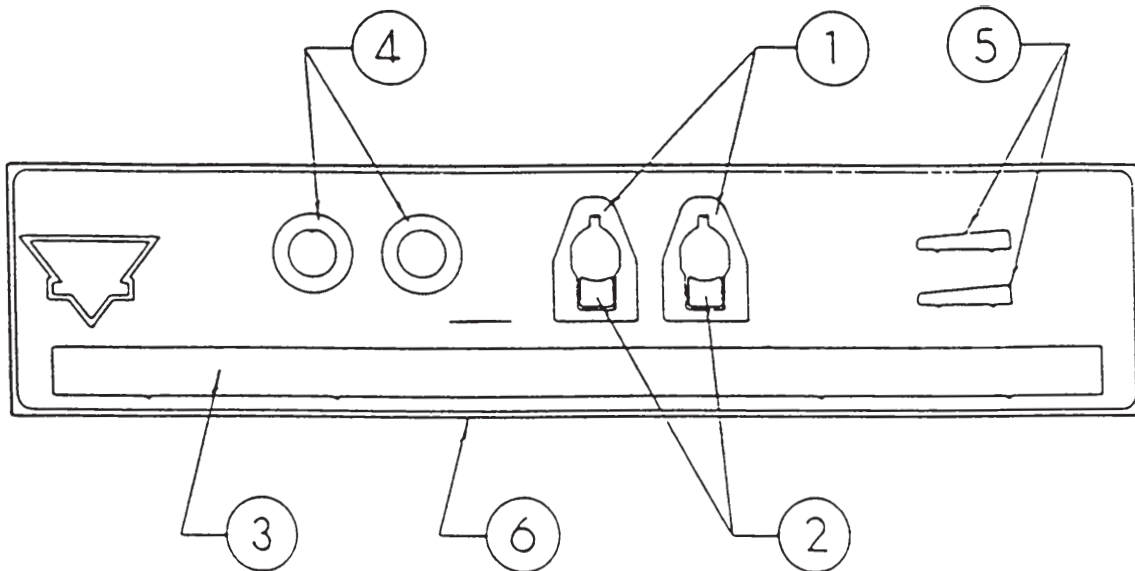
17013 ANGLE PINCHWELD ADAPTER



17007 BOX FRAME SPACER KIT



15900 DOWN PULL KIT



Drawing Ref.	Part No.	No. Req'd	Description
1	15901	2	DP3 Brackets
2	15903	2	DP5 Spacer
3	15905	1	7/8" Heavy Wall Pipe
4	15902	2	DP4 Pulley
5	20060	2	Wedge
6	15904	1	Down Pull Kit Board

10050 ANCHORING WALL RACK ASSEMBLY

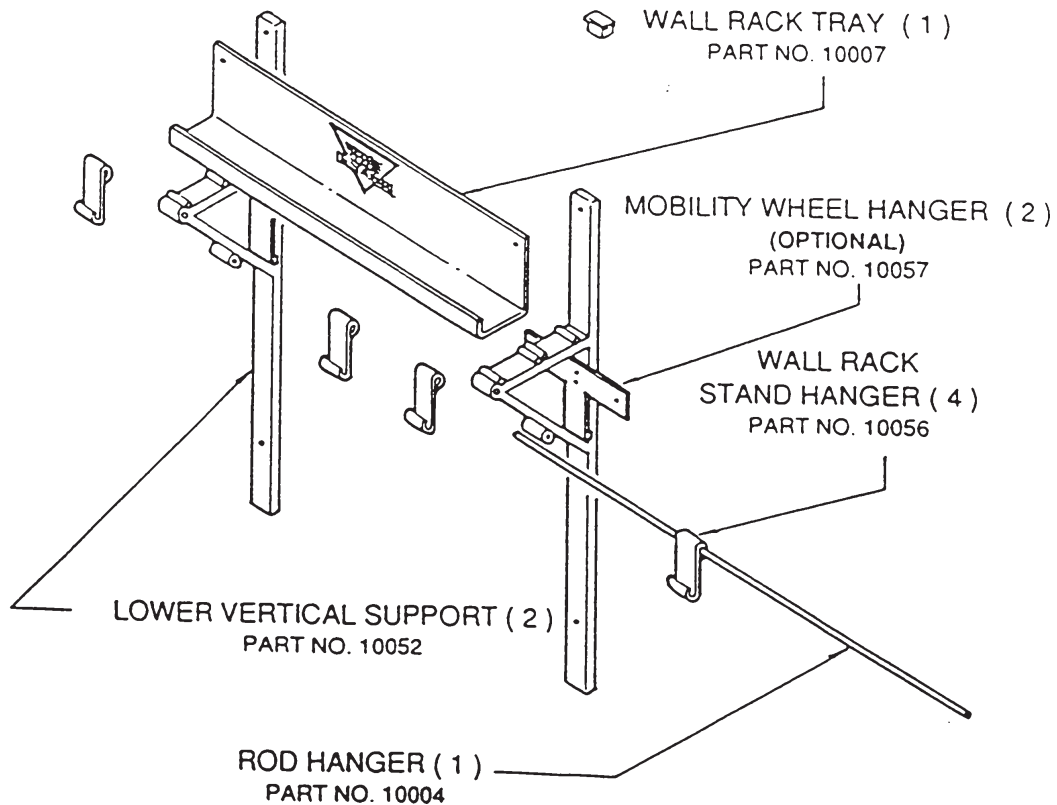


1/2" LEAD ANCHORSHIELD (4)
PART NO. 10054

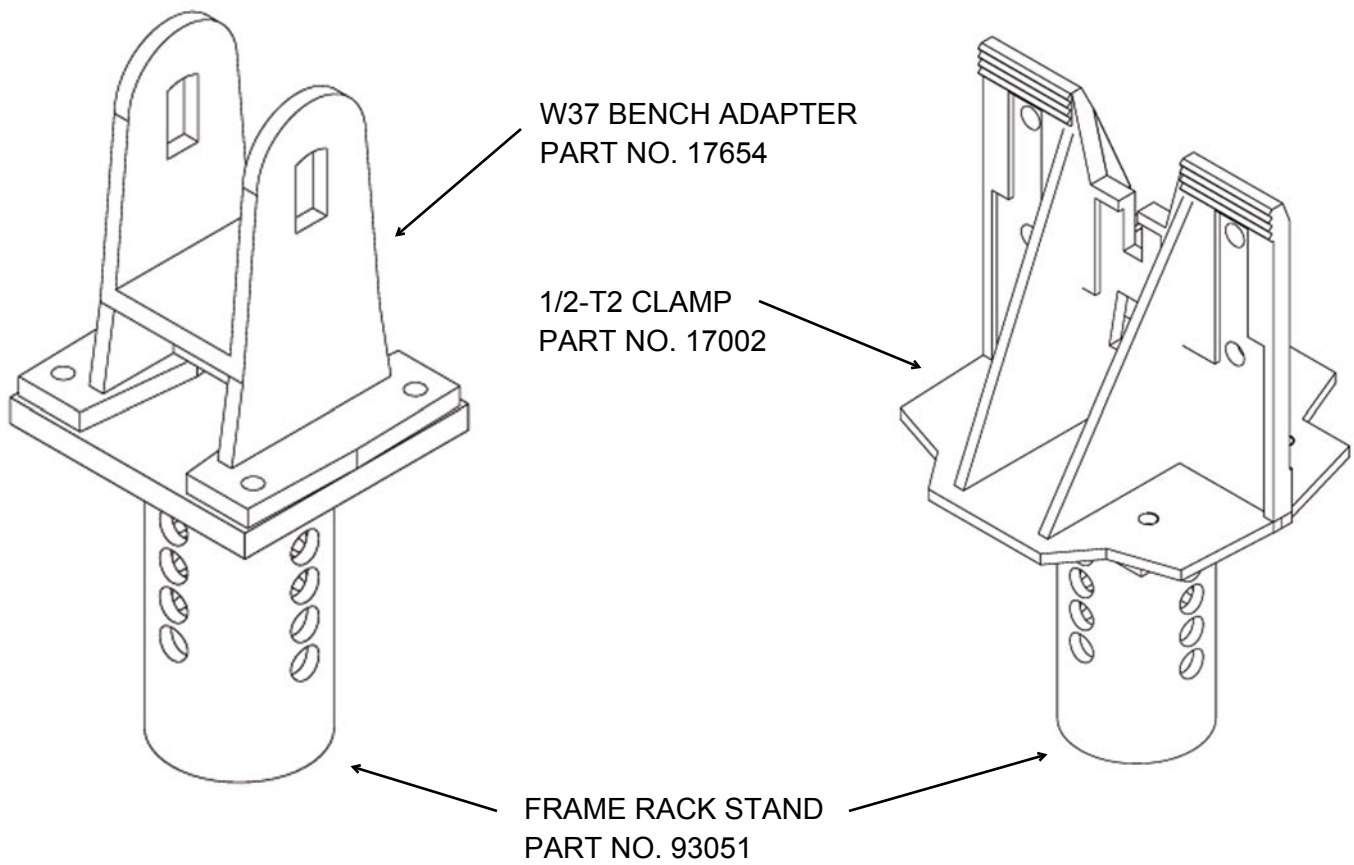


1/4" x 3 1/2" LAG BOLT (4)
PART NO. 10055

VERTICAL SUPPORT CAP (2)
PART NO. 10061

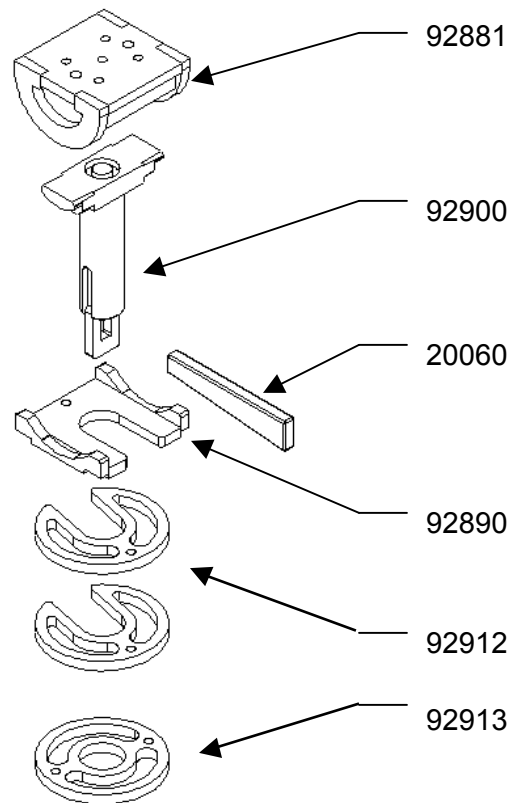


93050 FRAME RACK ADAPTERS



92850 FULL FRAME ADAPTERS

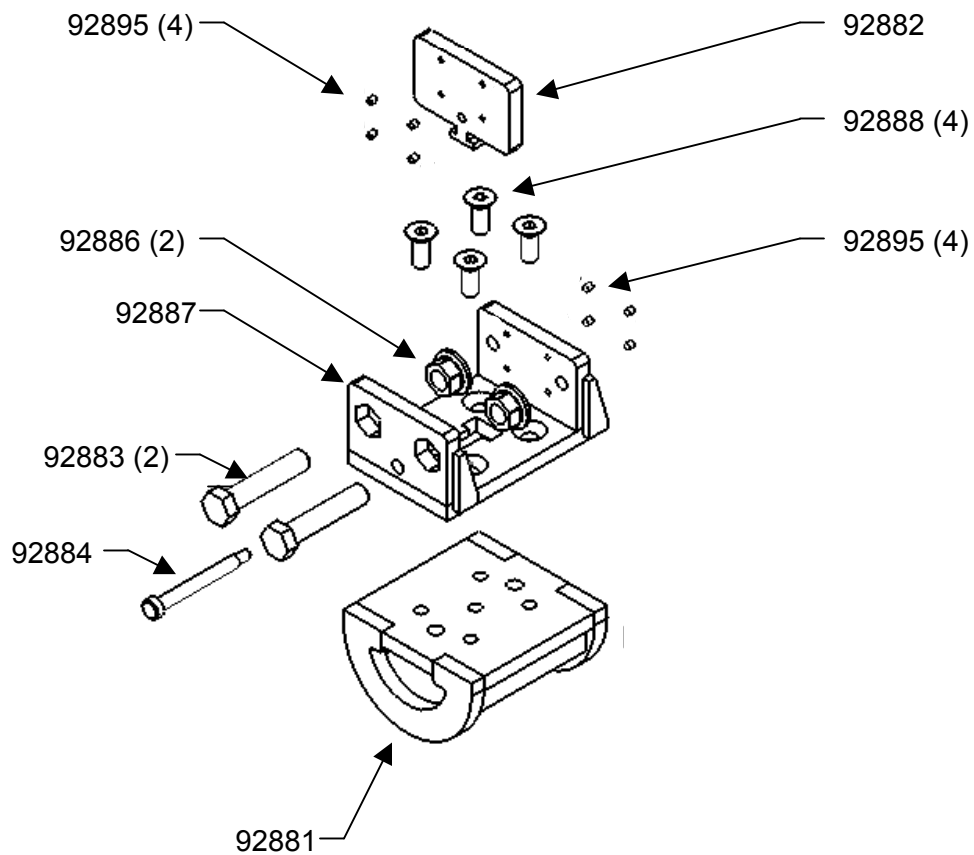
Swivel Base Assembly



VERSION 3 – SPRING 2006

92850 FULL FRAME ADAPTER

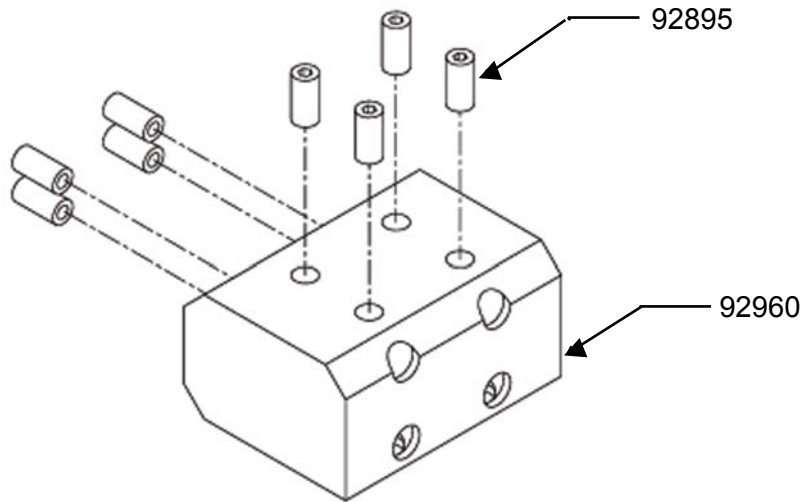
Box Frame Adapter



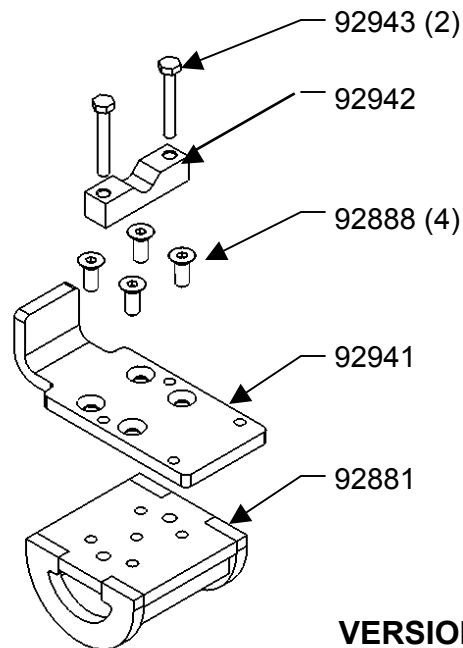
VERSION 3 – SPRING 2006

92850 FULL FRAME ADAPTER

C-Section Adapter



Leaf Spring and Torsion Bar Adapter



VERSION 3 – SPRING 2006