

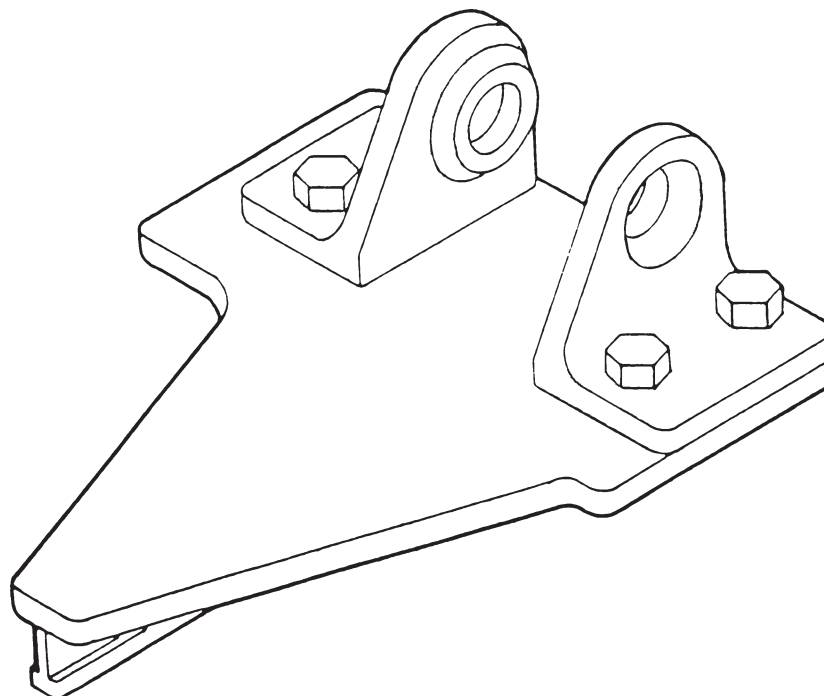
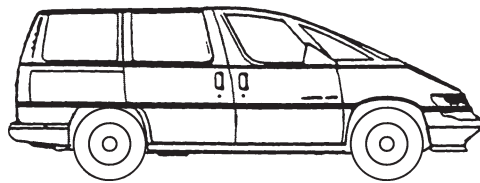
**WEDGE  
CLAMP**

**SYSTEM**

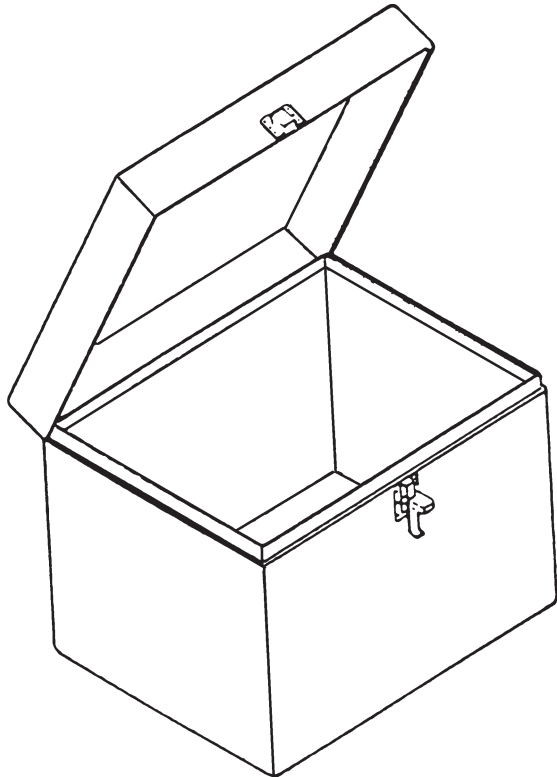
## **LUMINA VAN ANCHORING ADAPTER KIT**

- Anchoring Bracket Installation Instructions
- Strut Tower Pulling Adapter

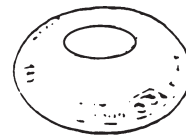
**For anchoring the Chevrolet Lumina Van, Pontiac Trans Sport Van, Oldsmobile Silhouette Van.**



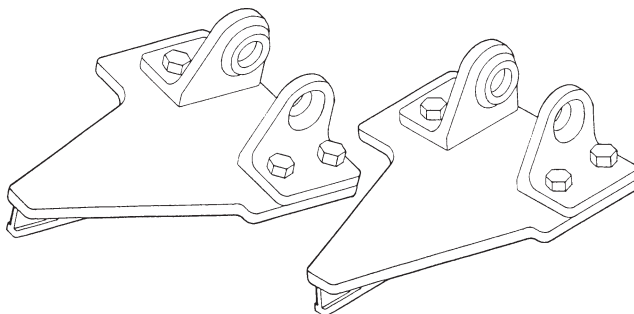
## COMPONENTS



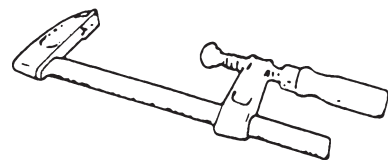
**TOOL BOX (1)**



**STRUT TOWER  
ADAPTER BRACKET (1)**

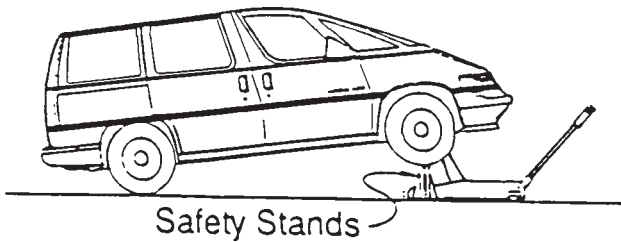


**LUMINA BRACKETS (2)**

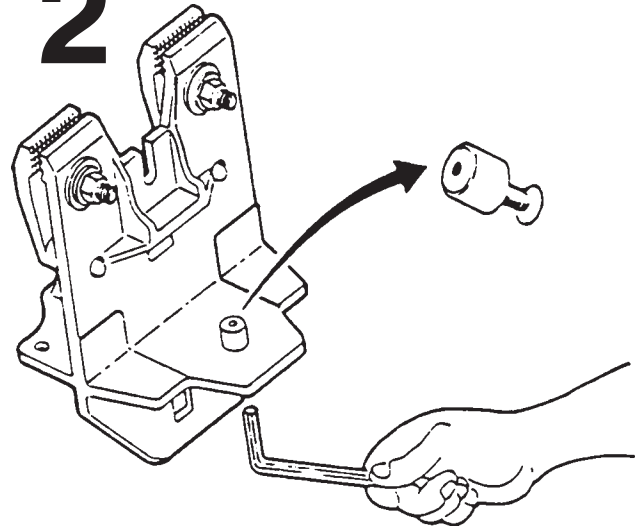


**BAR CLAMP (1)**

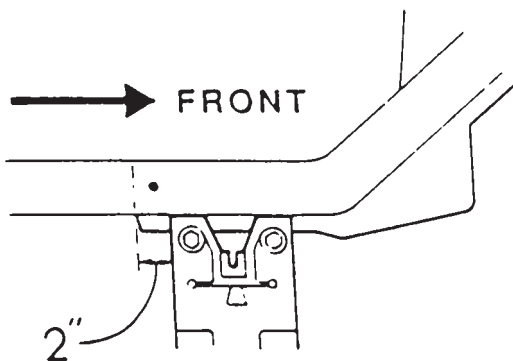
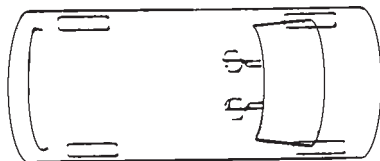
## INSTALLATION OF LUMINA ANCHORING ADAPTER BRACKETS

**1**

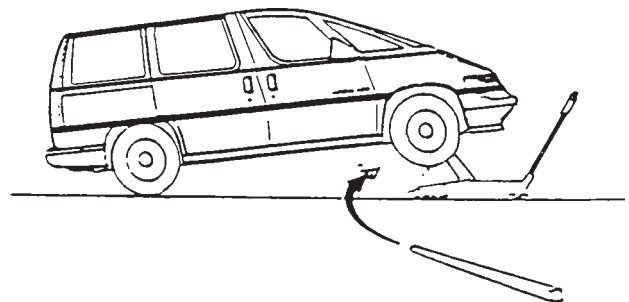
Center the vehicle in the repair bay.  
Jack up the front end and place safety  
stands under the vehicle.

**2**

Remove the buttons on the front clamps only.

**3**

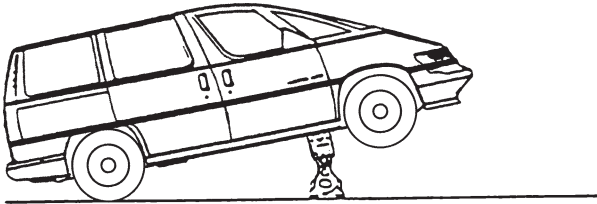
Install the pinchweld clamps on the forward  
pinchweld approximately 2" ahead of the  
pinchweld end as shown. These pinchwelds  
are located approximately 14" inboard of the sill  
(rocker) panel.

**4**

Insert the anchoring crossbar.  
Hammer the wedges firmly.

## INSTALLATION OF LUMINA ANCHORING ADAPTER BRACKETS

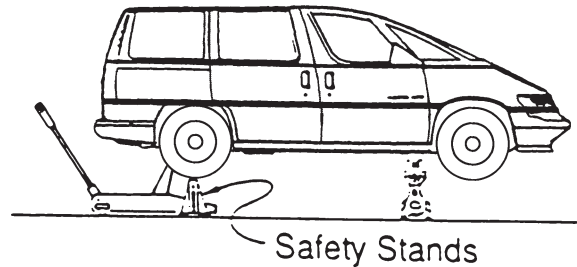
# 5



Position the Wedge Clamp anchoring stands on both sides of the van.

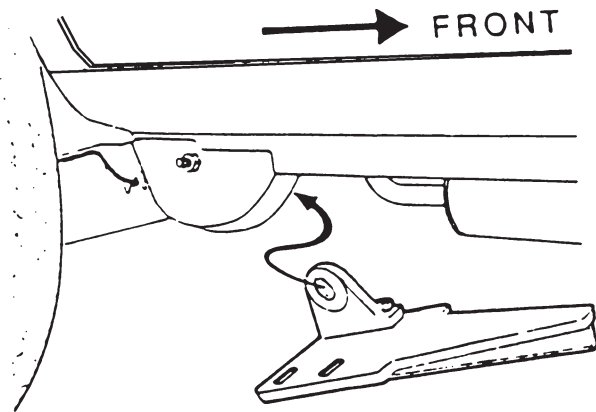
Remove the safety stands and lower the van so that the anchoring crossbar rests on the anchoring stands.

# 6



Raise the rear of the van and place safety stands under the vehicle.

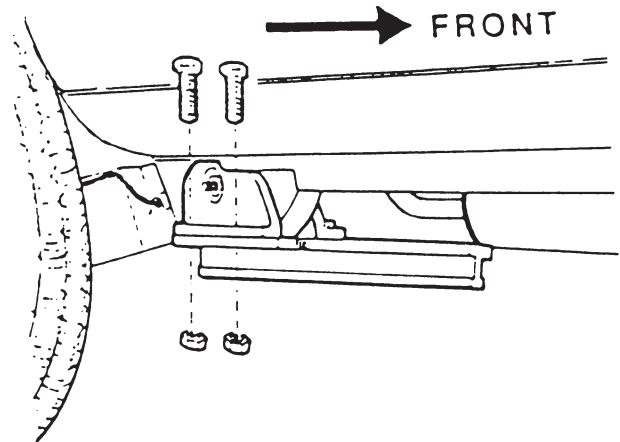
# 7



Remove the outer flange (labelled GM3) from the bracket.

On the rear suspension shackle install the bracket so that the bolt head is inside the hole in the bracket as shown.

# 8

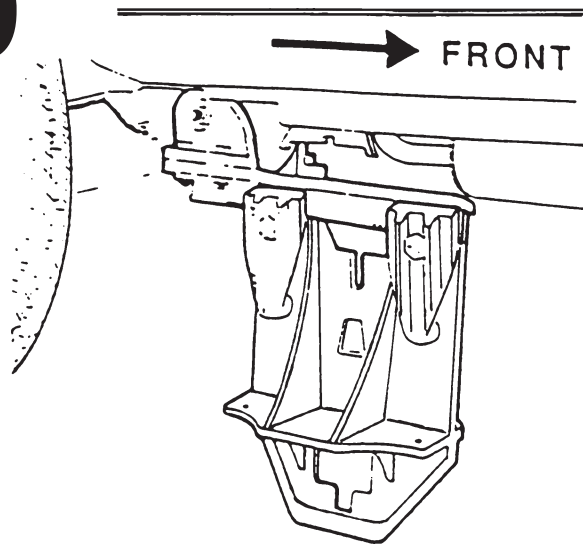


Install the outer flange (labelled GM3) on the bracket.

(it may be necessary to partly undo the shackle bolt to provide adequate clearance to insert the outer flange.)

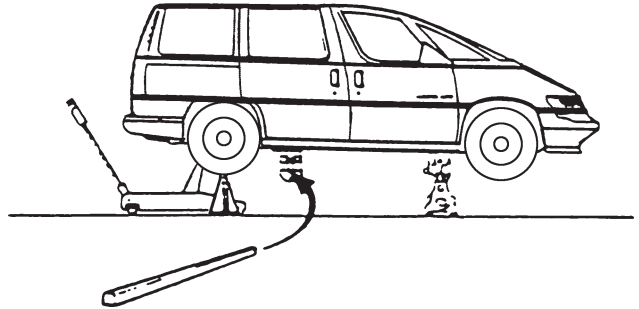
### INSTALLATION OF LUMINA ANCHORING ADAPTER BRACKETS

# 9



Install the pinchweld clamp inside-out.

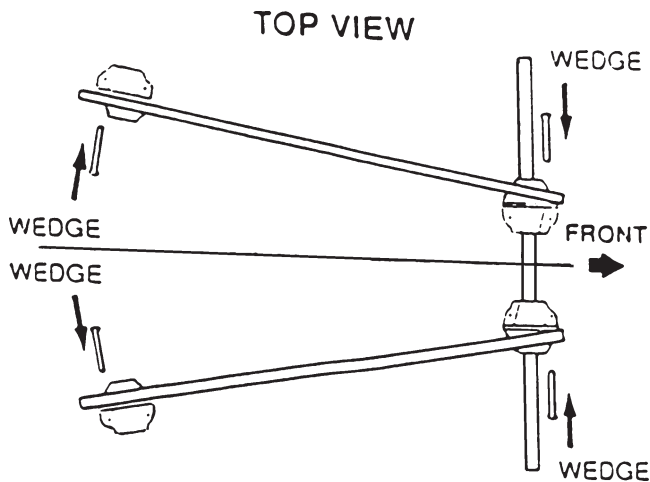
# 10



Install the anchoring crossbar through the rear pinchweld clamps.

Insert the wedges between the clamps and the tube from the inboard side of the van and hammer firmly.

# 11

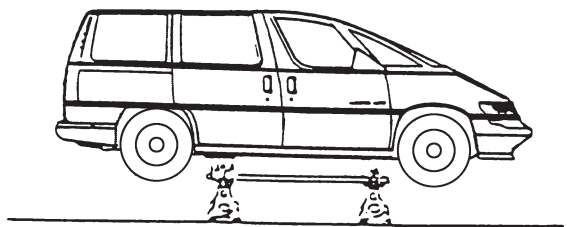


Install the anchoring side bars as shown.

Push the anchoring side bars against the pinchweld clamp.

Hammer the wedges firmly as shown.

# 12

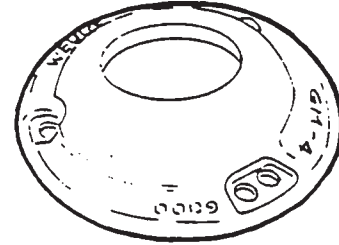


Position the Wedge Clamp anchoring stands under the rear cross tube.

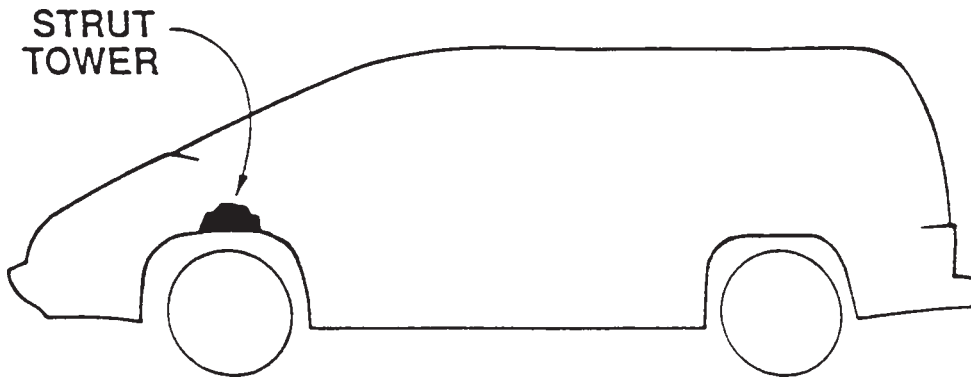
Remove the safety stands and lower the van onto the Wedge Clamp anchoring stands.

### STRUT TOWER PULLING ADAPTER

Wedge Clamp has developed a special bracket that fits on the top of the Lumina Van MacPherson strut tower - with or without the MacPherson strut in place. This bracket also fits the GM 6000 SERIES passenger car.



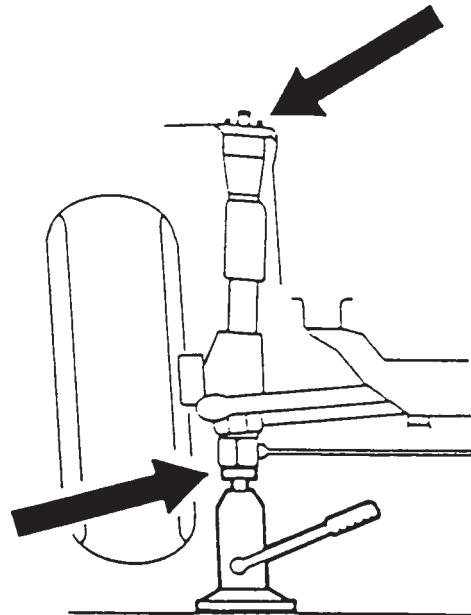
STRUT TOWER BRACKET



- 1 Load the suspension.  
Remove the 3 strut tower nuts.

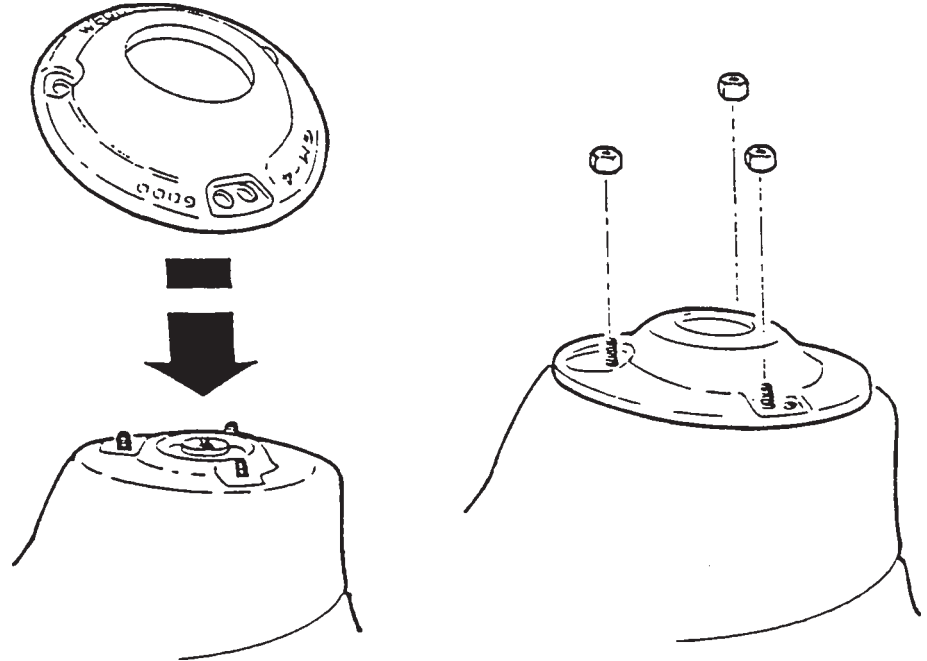


**WARNING:** Disconnect the battery so that the windshield wiper arms cannot be turned on while you are working in this area. These arms have sharp edges and serious injury can result from sudden contact.

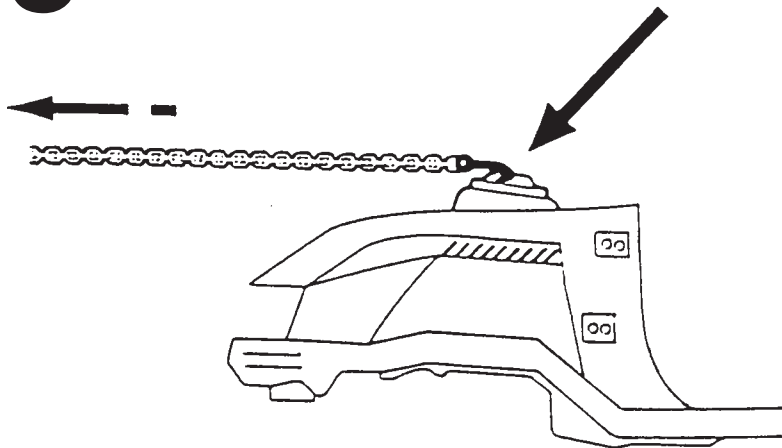


### STRUT TOWER PULLING ADAPTER

**2** Place pulling bracket (labelled GM4) onto the strut bolts and fasten on with the same nuts.



**3**



Place a pulling hook in the bracket ring and pull as needed.

For side pulls, pull here by attaching an angle clamp onto the pinchweld section (the fender must be removed)

