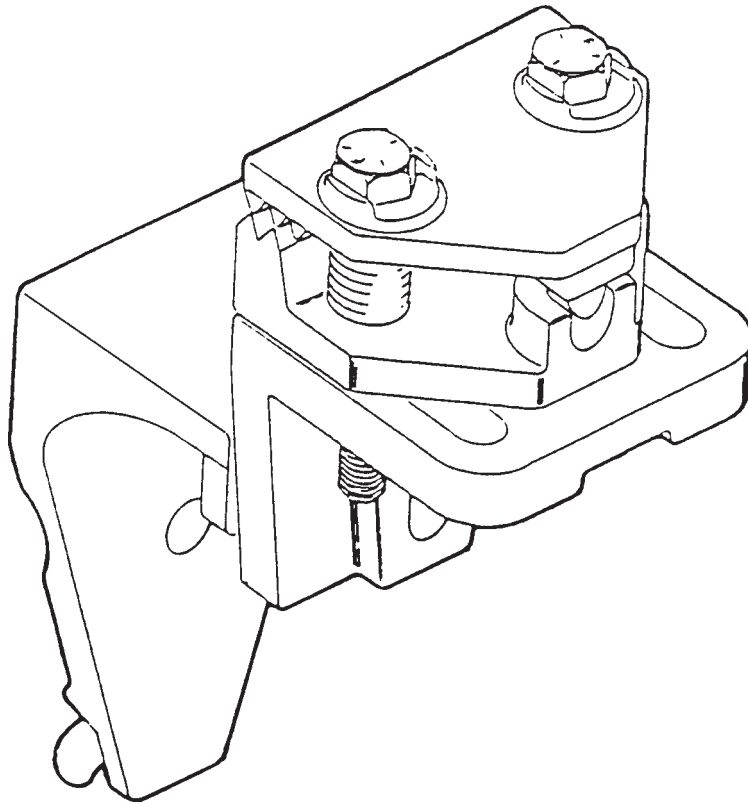
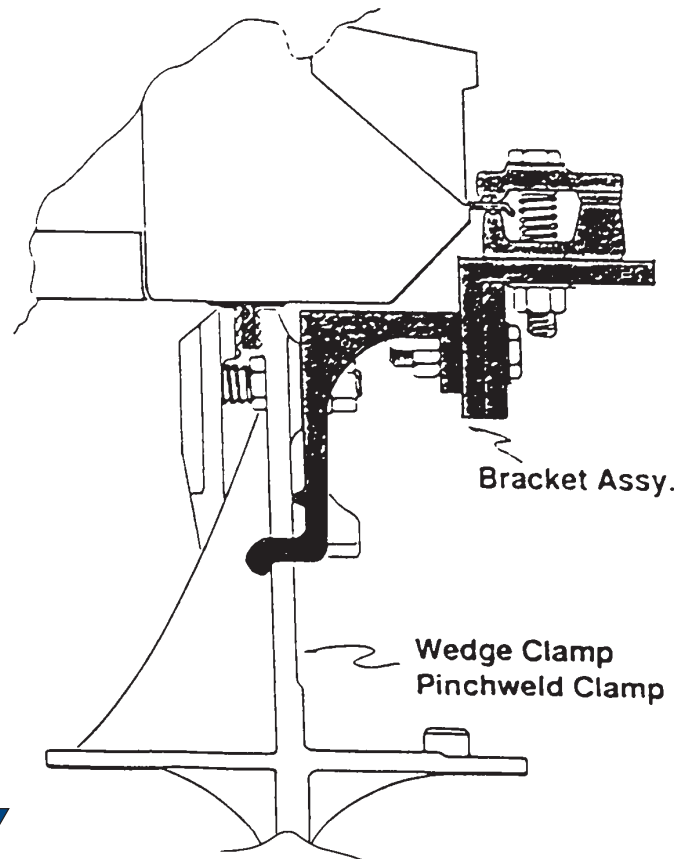
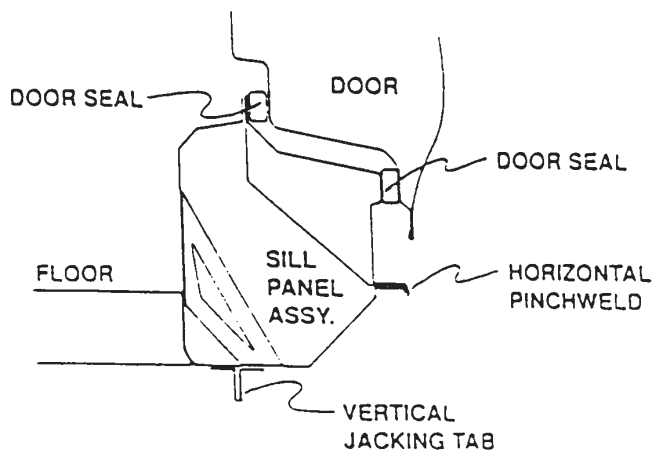


HONDA ADAPTER KIT
USER INSTRUCTIONS & REPLACEMENT PARTS LIST
For Accord and NSX Models **PART# 15150**



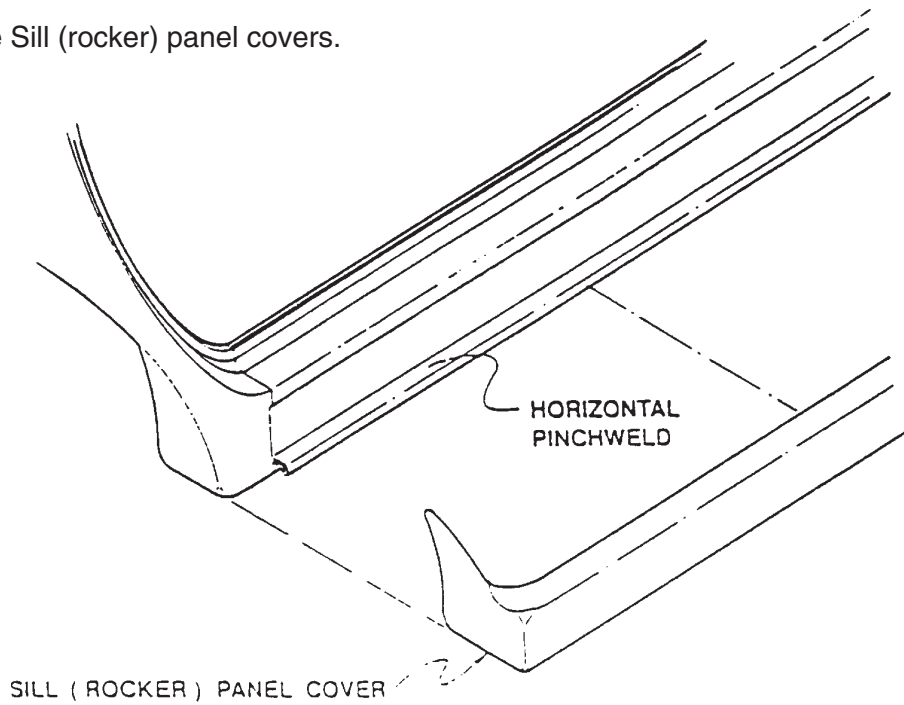
INTRODUCTIONS

Honda recommends that the Honda and Acura models with horizontal pinchwelds (including the new Honda Civic, Honda Accord, Acura Legend, and Acura NSX) be anchored by **both** the jack tabs and the horizontal pinchwelds for pulling. Wedge Clamp has developed a bracket for this purpose. The brackets fit the Wedge Clamp's pinchweld clamp.

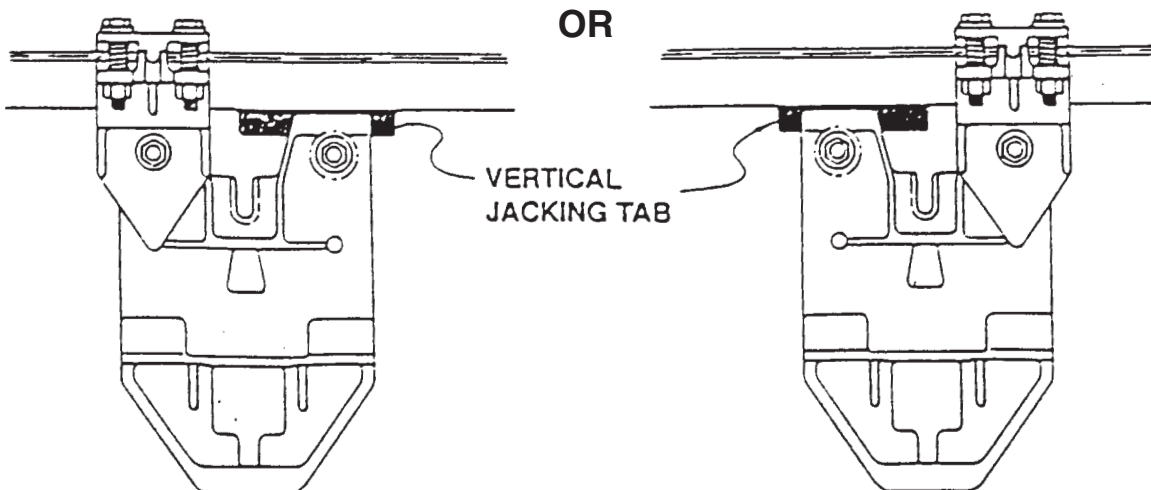


SET UP PROCEDURE

- 1 Remove the Sill (rocker) panel covers.

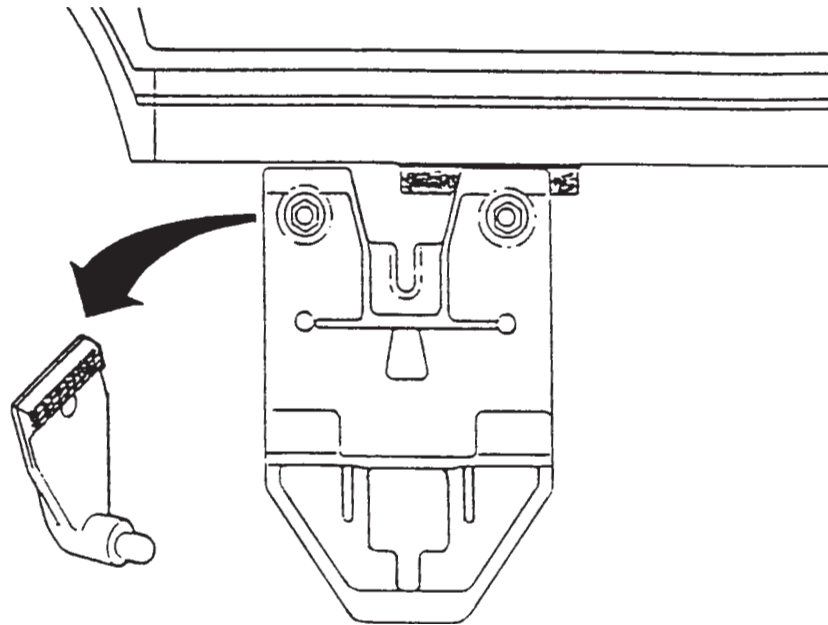


- 2 Locate the Pinchweld Clamp onto the jacking tab as shown.

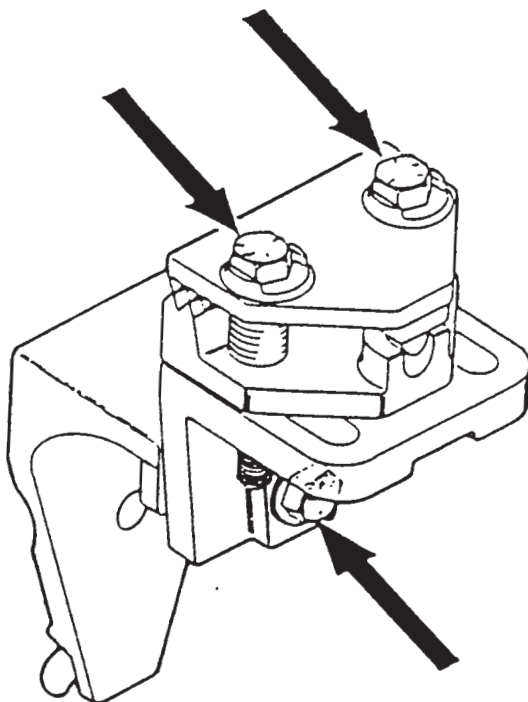


SET UP PROCEDURE

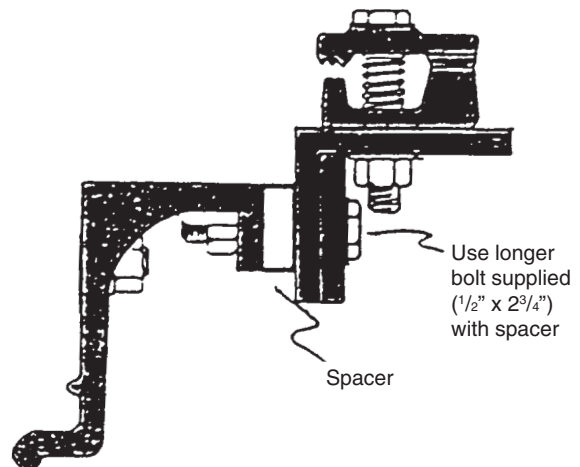
- 3** Remove the front clamp jaw from the pinchweld clamp.



- 4** Loosen the bolts on the bracket. (See drawing below)

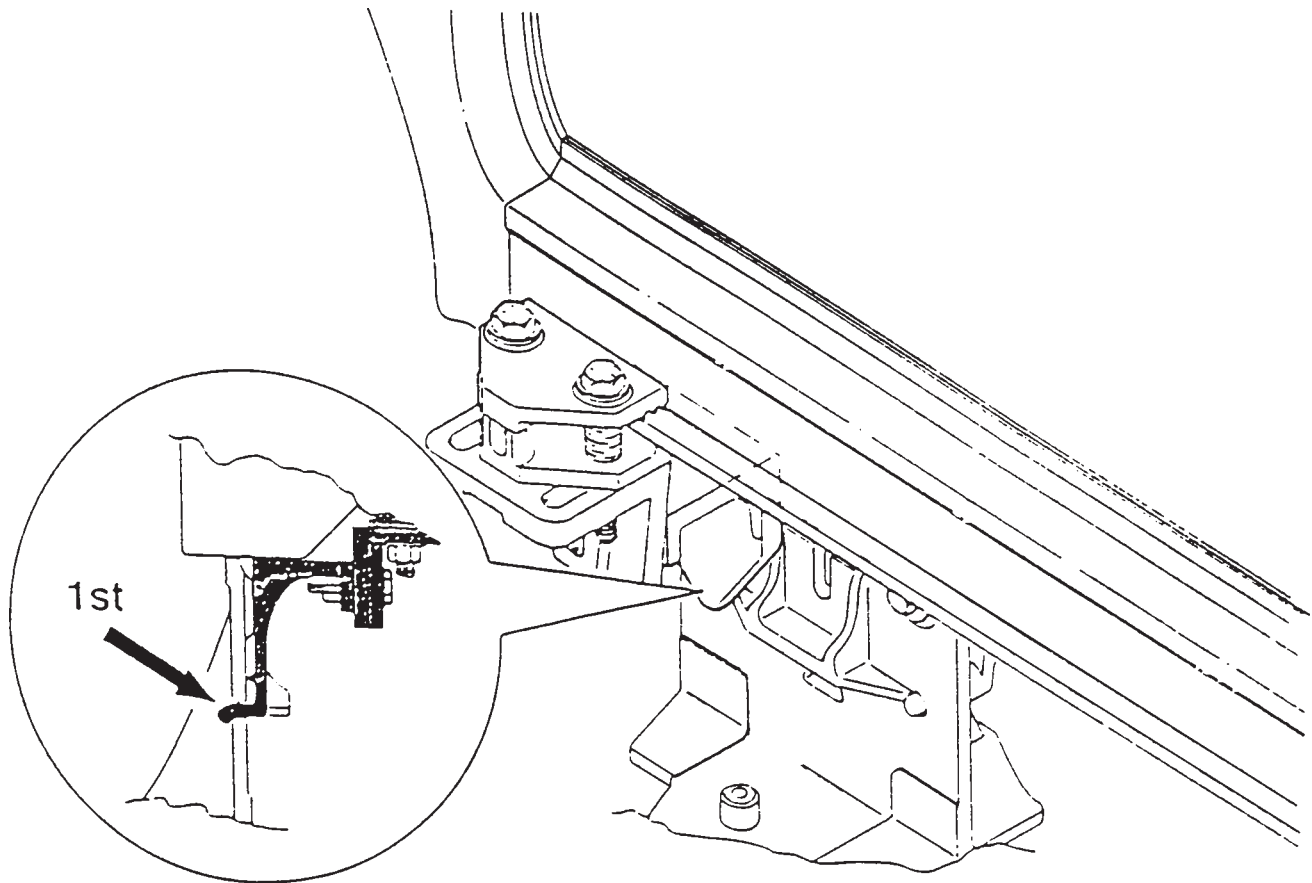


- 5** For certain models with the pinchweld displaced far outboard it may be necessary to use the spacer and longer bolt supplied with the kit to move the adjusting bracket and horizontal jaw further outboard. (See drawing below).



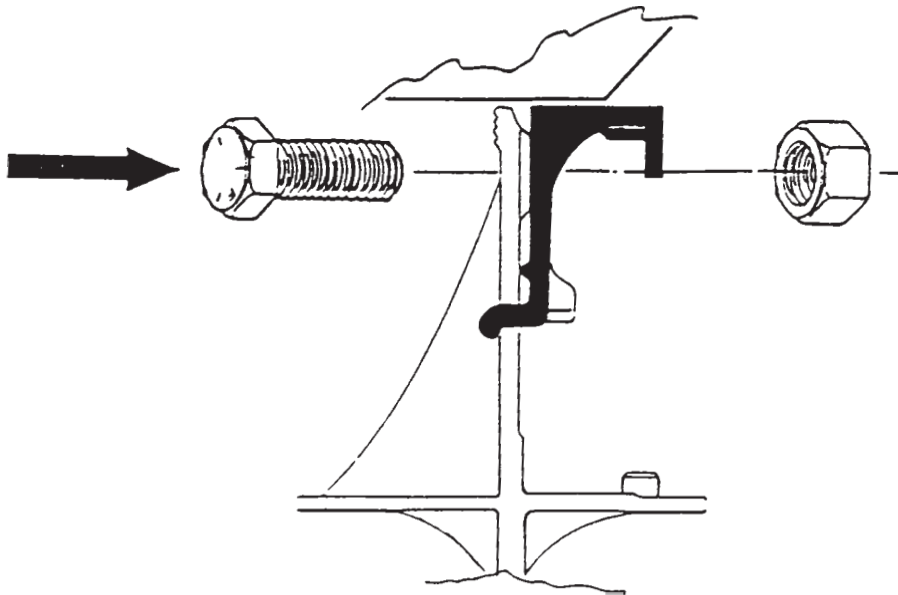
SET UP PROCEDURE

- 6** Install the Honda bracket onto the pinchweld clamp by placing the small finger on the bracket through the bottom hole on the Pinchweld Clamp. Place the bracket jaw onto the horizontal pinchweld at the same time.

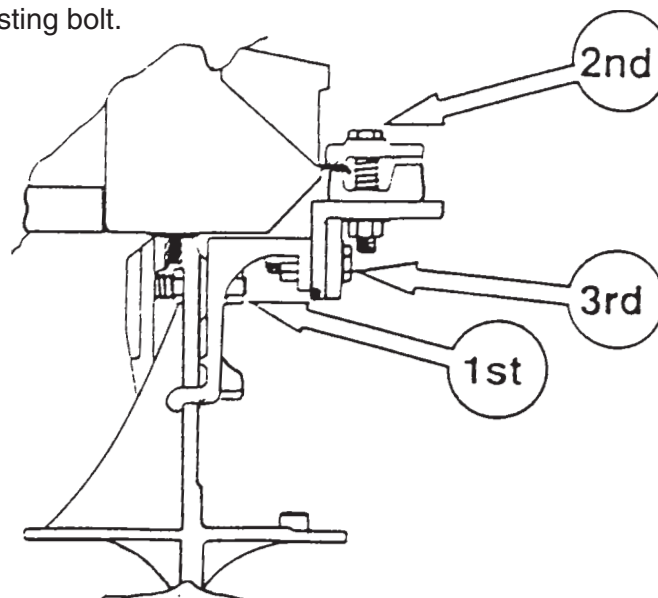


SET UP PROCEDURE

- 7** Install the bolt through the pinchweld clamp and the bracket from inside out.
(See drawing below)

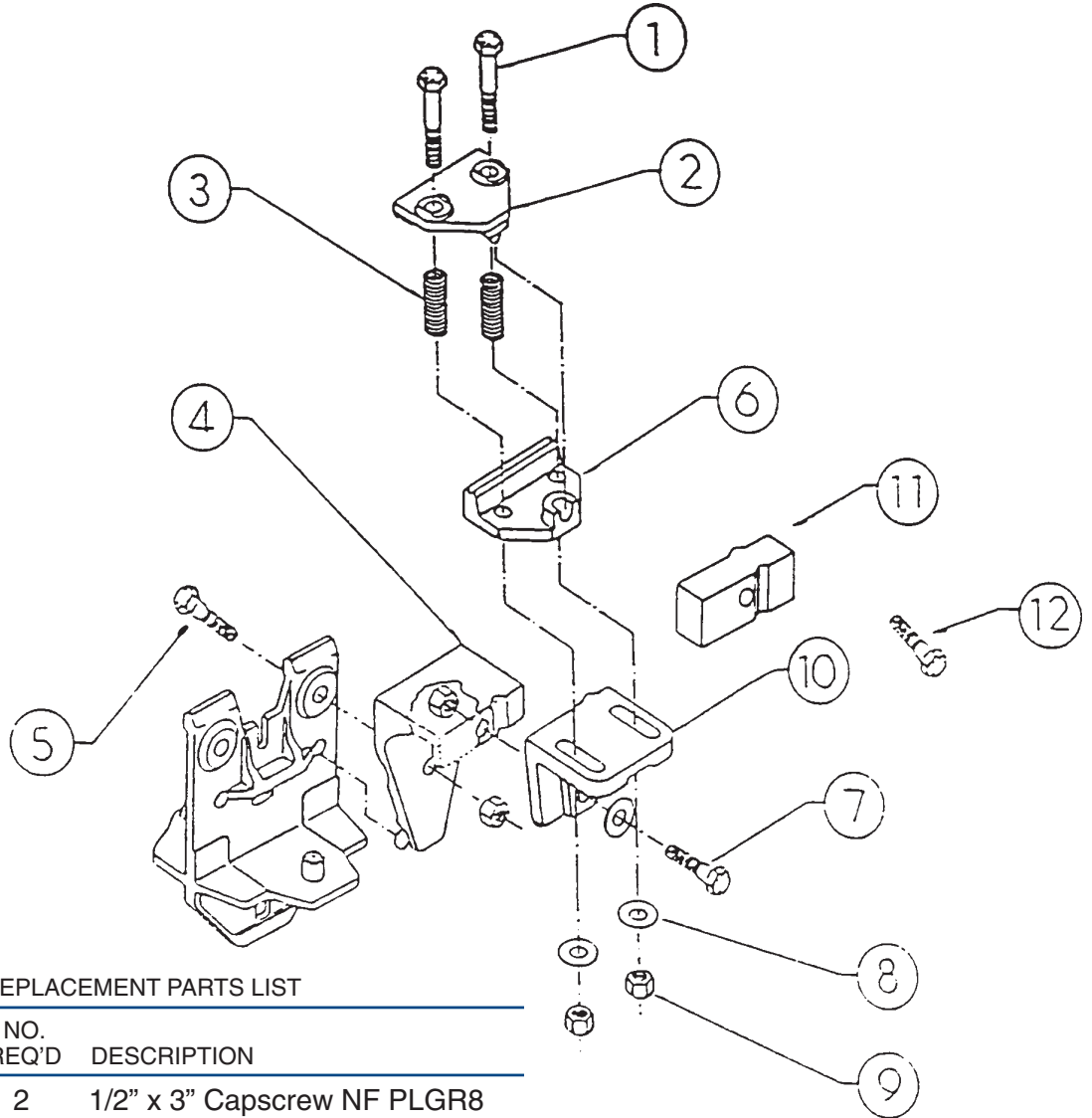


- 8** First, tighten the bolt on the clamp. (See drawing below)
Second, tighten the jaw bolt. (See drawing below)
Third, tighten the height adjusting bolt.
(See drawing below)



HONDA ADAPTER BRACKET

4 Per Kit



REPLACEMENT PARTS LIST

ITEM NO.	PART NO.	NO. REQ'D	DESCRIPTION
1.	16055	2	1/2" x 3" Capscrew NF PLGR8
2.	15154	1	Q73 Pad PL/Z
3.	14219	2	Clamp Spring
4.	15155	1	HA90 Honda Bracket PL/Z
5.	16056	1	1/2" X 1-1/2" Capscrew NF PLGR8
6.	15158	1	HA93 Lower Jaw PL/Z
7.	16087	1	1/2" X 1-3/4" Capscrew NF PLGR8
8.	16058	3	1/2" Metalloy Flat Washer
9.	16057	4	1/2" Nut NF PLGR2
10.	15159	1	HA94 Adjusting Bracket PL/Z
11.	15161	1	Honda Kit Spacer
12.	16092	1	1/2" x 2-3/4" Capscrew NF PLGR8