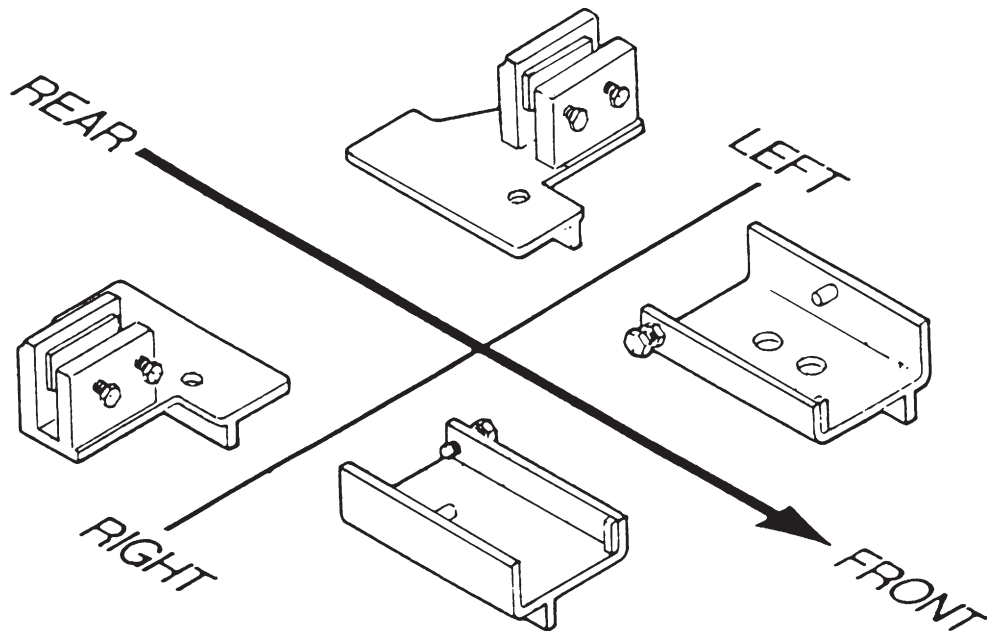
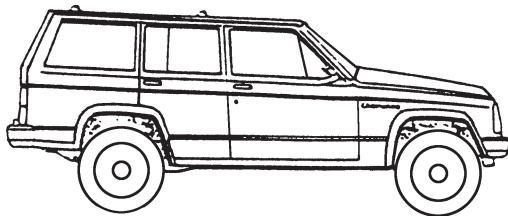


# CHEROKEE ANCHORING ADAPTER KIT INSTALLATION INSTRUCTIONS

For Anchoring the Jeep Cherokee

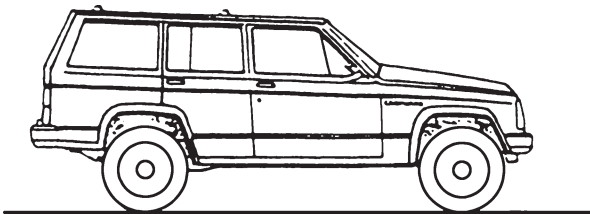
PART# 15700



## INSTALLATION OF THE CHEROKEE ANCHORING ADAPTER BRACKETS

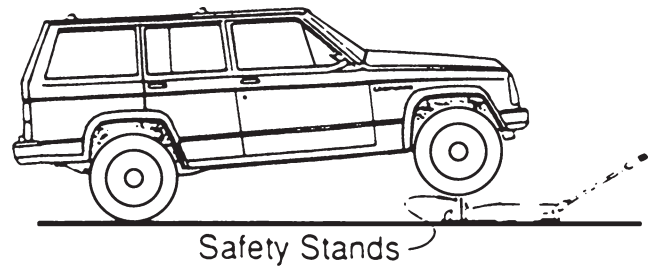
### STEP 1

Center the Cherokee between the anchoring rails or floor pots.



### STEP 2

Jack up the front end and place safety stand under the vehicle.

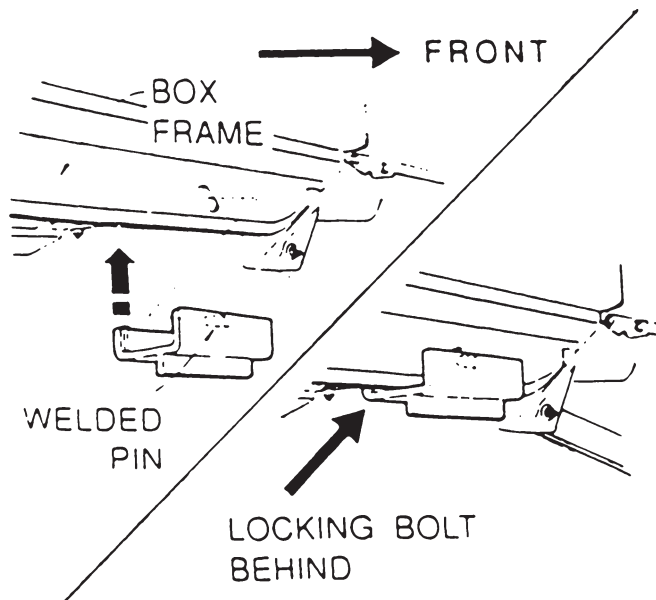


### STEP 3

Install the front brackets by placing the welded pin into the hole first.

Move the bracket up to sit flush against the bottom of the box frame.

Tighten the locking bolt.

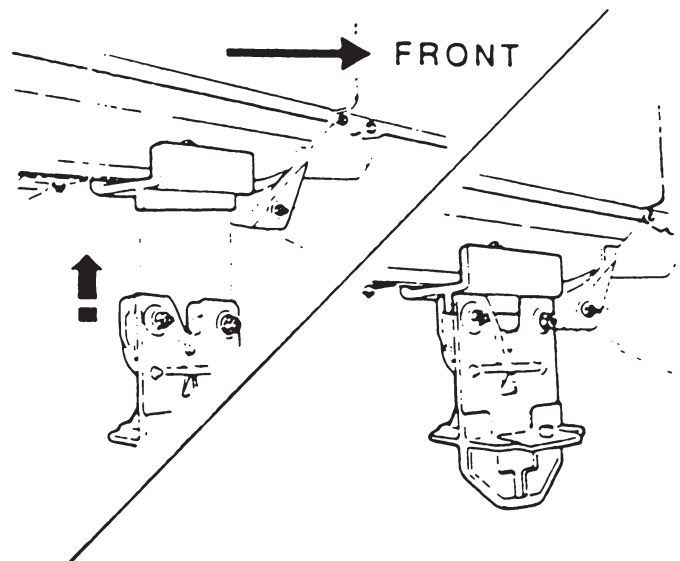


### STEP 4

Install the pinchweld clamps onto the vertical flange of the bracket.

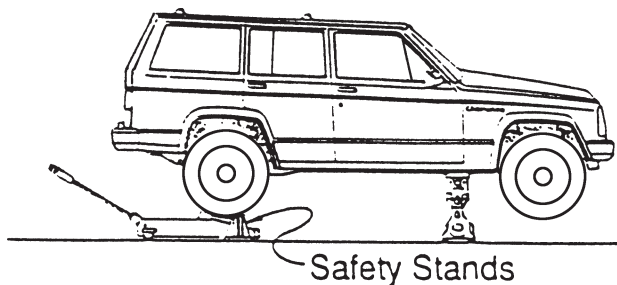
Insert the steel cross tube through the clamps and wedge into place.

Lower the vehicle so that the steel tube rests on the Wedge Clamp anchoring.



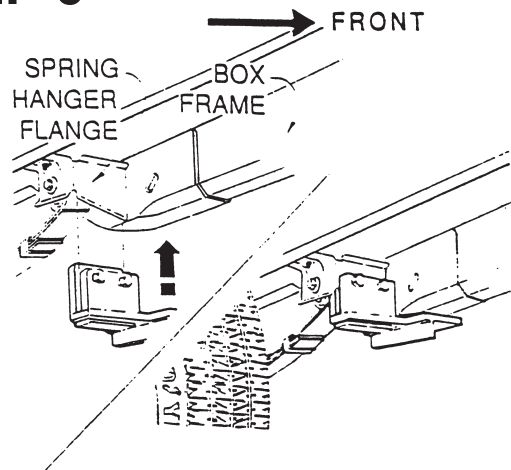
# INSTALLATION OF THE CHEROKEE ANCHORING ADAPTER BRACKETS

## STEP 5



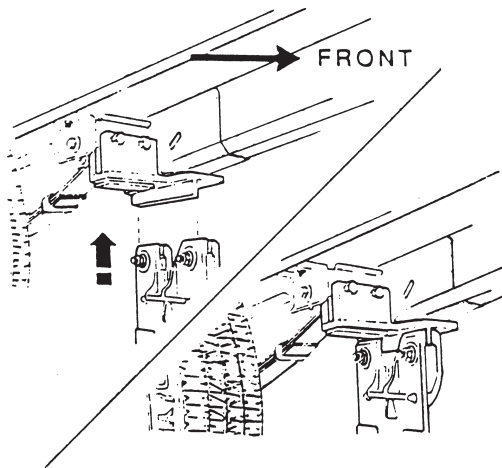
Jack up the rear end and place safety stands under the vehicle.

## STEP 6



Position the rear brackets over the spring hanger flange as shown. Move the bracket up to sit flush against the bottom of the box frame. Tighten the locking bolts against the flange.

## STEP 7

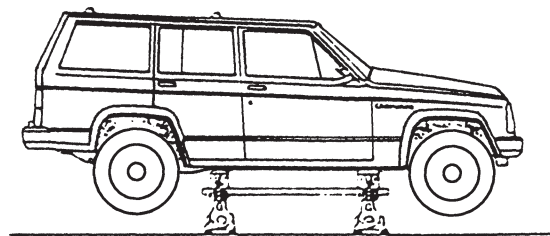


Install the pinchweld clamps onto the vertical flange on the brackets.

Insert the steel cross tube through the clamps and wedge into place.

Lower the vehicle so that the steel tube rests onto the Wedge Clamp anchoring stands.

## STEP 8



Install the anchoring side bars between the front and rear clamps on both sides and wedge into position.

Follow the Wedge Clamp Training Manual "Setting up the Anchoring System."