



97100 EZE LIFT

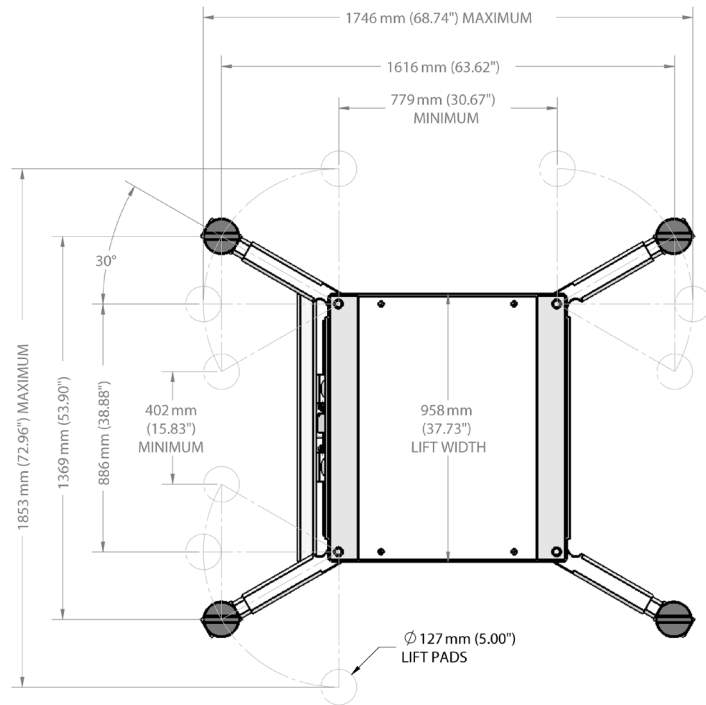


DESIGNED
TO INCREASE
PRODUCTIVITY

An innovative mid-rise EZE lift custom-designed and engineered for the broad vehicle range of today and the future. The unique design has the smallest available platform in a scissor lift - accommodating increasingly ultra-compact, short wheelbase cars while robust enough for standard cars, trucks and SUV's. The variable locking working heights provide for maximum ergonomic benefit to reduce fatigue, and the heavy duty safety lock provides assurance of a safe workstation.

- **Compact footprint**
- **Above floor or recessed installation**
- **Operates on single phase 110v or 220v**
- **Designed and built to ANSI/ALI requirements**
- **High capacity bearings for superior performance**
- **Plated and powder-coated surfaces for superior durability**

#170 - 21320 Gordon Way, Richmond, BC V6W 1J8 Canada Tel: 604.207.9595 Fax: 604.207.9593, www.wedgeclamp.com info@wedgeclamp.com



SPECIFICATIONS:

- Dimensions:** 34.5"L x 38"W x 4.5"H (87.6cm L x 96.5cm W x 11.5cm H)
- Raised height:** 36" (91.5cm)
- Lifting Capacity:** 6,000 lbs (2,700kg)
- Drive:** Electric/Hydraulic
- Power:** 1 HP, 110v or 220v, 15ft (4.6m) coiled cord
- Lift Arms:** Maximum 68" (173cm) Reach and 210° inward rotation
- Speed:** 40 second to max height
- Weight:** 1050 lbs (475 kg) including power supply

LIFT ARM REACH ENVELOPE

